

POWERBOSS®

ARMADILLO® PARTS SECTION FOR: 9XV DELUXE

TABLE OF CONTENTS

Axles, Brakes, and Wheels	2
Body (Sheet Metal) Group - Shrinkwrap protective cover	6
Body (Sheet Metal) Group - Engine Cover	10
Engine (Diesel) Group	12
Engine (Diesel) Group	20
Engine (LPG) Group	28
Engine (Ford Service Parts) Group	36
Frame Group	42
Hopper/Tank Group	50
Hydraulic Group - Hydraulic Reservoir	56
Hydraulic Group - Control Valve	60
Impeller Group	62
Impeller Group - Gasket Mount	66
Lift Arm Group	68
Main Broom Group	74
Miscellaneous Group - Gas Tank	78
Miscellaneous Group - Decals	80
Miscellaneous Group - Lights	84
PowerSwing™ Group	86
Radiator Guard Group	88
Rear Cover/Seat Group	92
Side Broom Group	94
Steering Group	100

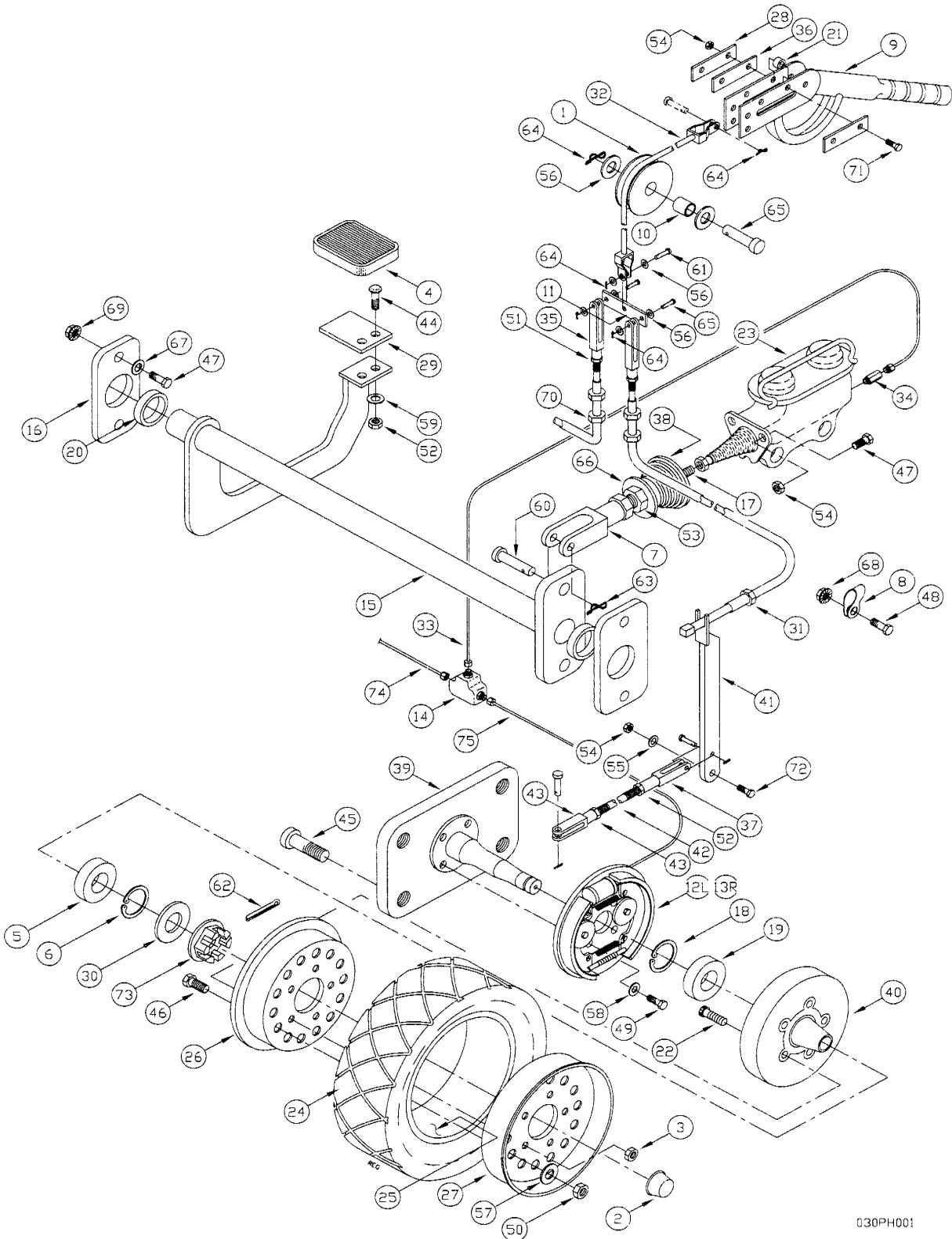
POWERBOSS[®]

ARMADILLO[®] PARTS SECTION FOR: 9XV DELUXE

TABLE OF CONTENTS

Axles, Brakes, and Wheels	2
Body (Sheet Metal) Group - Console	6
Body (Sheet Metal) Group - Engine Cover	10
Engine (Diesel) Group	12
Engine (Diesel) Group	20
Engine (LPG) Group	28
Engine (Ford Service Parts) Group	36
Frame Group	42
Hopper/Tank Group	50
Hydraulic Group - Hydraulic Reservoir	56
Hydraulic Group - Control Valve	60
Impeller Group	62
Impeller Group - Gasket Mount	66
Lift Arm Group	68
Main Broom Group	74
Miscellaneous Group - Gas Tank	78
Miscellaneous Group - Decals	80
Miscellaneous Group - Lights	84
PowerSwing [™] Group	86
Radiator Guard Group	88
Rear Cover/Seat Group	92
Side Broom Group	94
Steering Group	100

AXLE, BRAKES, & WHEEL GROUP

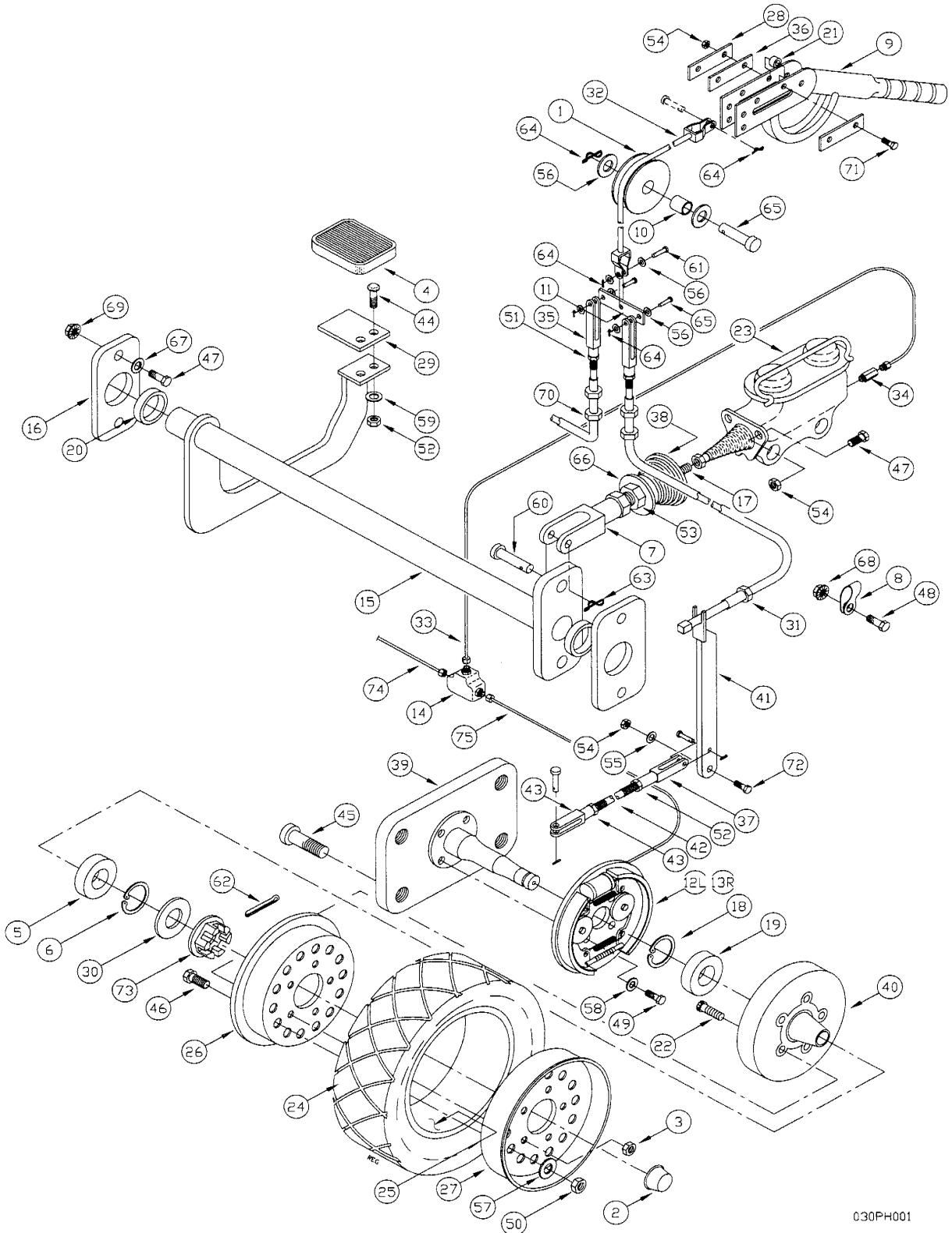


030PH001

AXLE, BRAKES, & WHEEL GROUP

REF#	PART #	DESCRIPTION	QUANTITY
1	300367	PULLEY - BRAKE	1
2	300369	CAP - HUB	2
3	300411	NUT - WHEEL LUG	10
4	300413	PAD - BRAKE PEDAL	1
5	300467	BEARING - BALL 2.44 X 1.18 ID	2
6	300473	RING - RET INT 2.44	2
7	301447	CLEVIS - CABLECRAFT AC-218	1
8	302543	CLAMP - SADDLE TYPE 5/16" DIA	2
9	303169	LEVER - HAND BRAKE	1
10	303552	SLEEVE - HAND BRAKE PLTD	1
11	307232	BAR - BRAKE EQUALIZER PLTD SW/A	1
12	304542	ASSY - HYD BRAKE RH	1
13	304543	ASSY - HYD BRAKE LH	1
14	306307	FTG - TEE HYD BRAKE	1
15	307224	ASSY - BRAKE TORQUE ARM PLTD	1
16	307233	MNT - BEARING BRAKE PLTD SW/A	2
17	307235	ROD - BRAKE MASTER CYLINDER PLTD	1
18	307237	RING - RET INT INNER WHEEL SW/A	2
19	307238	BEARING - INNER WHEEL SW/A	2
20	307239	BEARING - BRAKE ARM SW/A	2
21	307241	SPACER - HAND BRAKE PLTD SW/A	2
22	307242	STUD - FRONT HUB SW/A	10
23	307251	ASSY - MASTER CYLINDER SW/A	1
24	307252	TIRE - PNEUMATIC 650 X 10	2
25	307253	TUBE - TIRE 650 X 10	2
26	307254	RIM - FRONT INNER SW/A PLTD	2
27	307255	RIM - FRONT OUTER SW/A PLTD	2
28	307273	BAR - HAND BRK SPACER PLTD SW/A	1
29	307274	PAD - BRAKE SW/A PNTD	1
30	307352	WASHER - FRONT HUB SW/A PLTD	2
31	307353	CABLE - BRAKE RH SW/A	2
32	307632	CABLE - BRAKE CENTER SW/A	1
33	307637	ASSY - BRAKE LINE CENTER SW/A	1
34	307638	FTG - REDUCER	1
35	307642	CLEVIS - 5/16 PLTD SW/A	2
36	307895	SPACER - THIN HAND BRAKE PLTD	2
37	311321	CLEVIS & COTTER PIN - BRAKE ROD	2
38	313109	SPRING - PEDAL RETURN	1

AXLE, BRAKES, & WHEEL GROUP



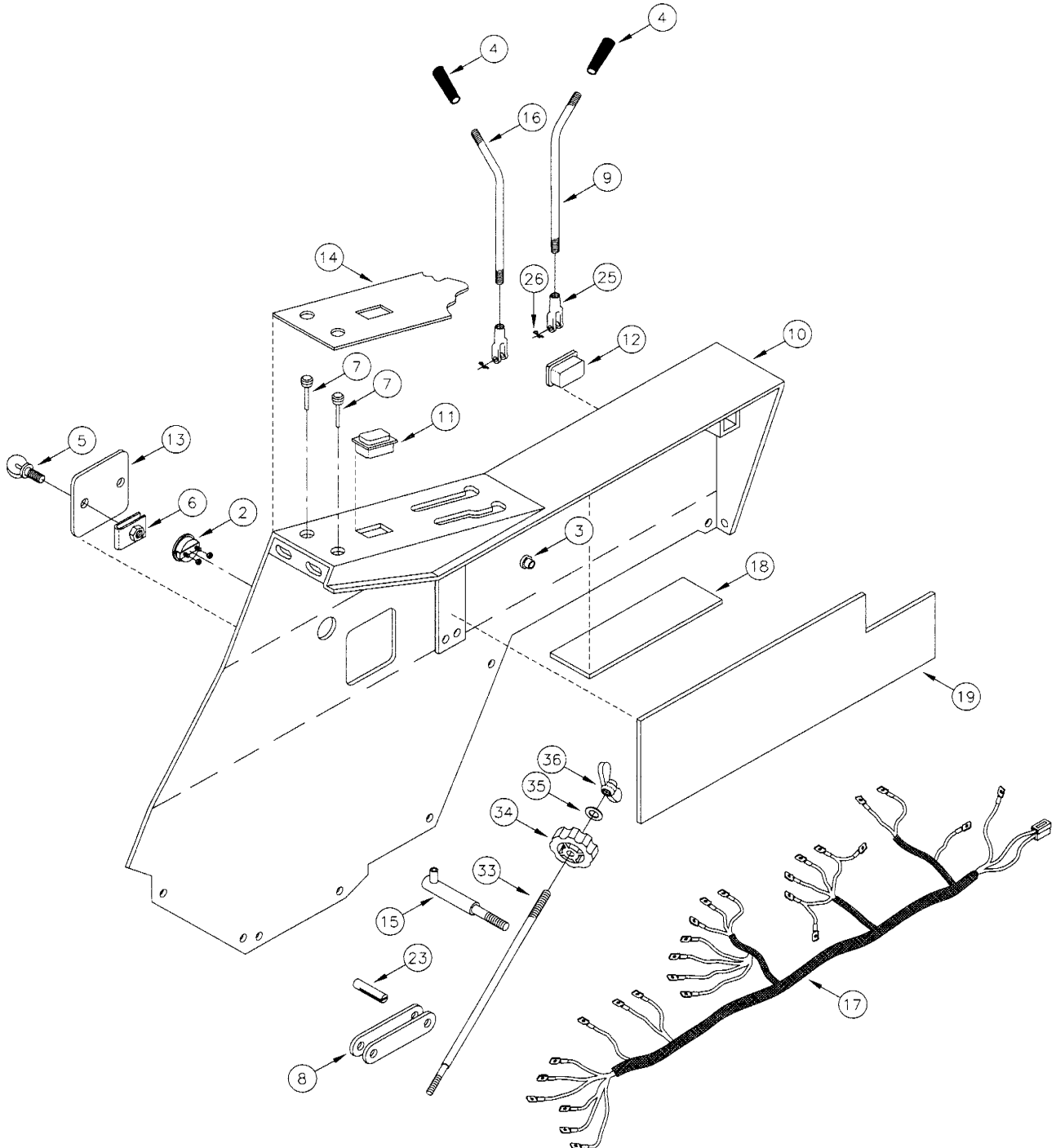
030PH001

AXLE, BRAKES, & WHEEL GROUP

REF#	PART #	DESCRIPTION	QUANTITY
39	318285	WELDMENT - FRONT AXLE SW 8X/9X	2
40	318288	HUB - 7" ID HYDRAULIC BRAKES	2
41	321324	ASSY - LEVER PARKING BRAKE	2
42	321331	ROD - PARKING BRAKE	2
43	321341	CLEVIS - BRAKE ROD (MODIFIED)	2
44	400010	SCREW - CAR, 1/4 - 20 X .75 ZP	2
45	400011	SCREW - FLT 5/8 - 11 X 1.00 SOC ZP	8
46	400306	SCREW - HEX 1/2 - 20 X 1.0 ZP	20
47	400029	SCREW - HEX 3/8 - 16 X 1.25 ZP	7
48	400036	SCREW - HEX 5/16 - 18 X .75 ZP	2
49	400047	SCREW - SOC 5/16 - 18 X .75 ZP	8
50	400064	NUT - HEX 1/2 - 20 ZP	20
51	400069	NUT - HEX 5/16 - 24 ZP	2
52	400071	NUT - HEX 1/4 - 20 ZP	6
53	400075	NUT - HEX JAM 3/8 - 24 ZP	2
54	400079	NUT - HEX 3/8 - 16 ES ZP	7
55	400087	WASHER - FLAT 3/8 STANDARD ZP	2
56	400088	WASHER - FLAT 5/16 STANDARD ZP	9
57	400098	WASHER - LOCK 1/2 SPLIT ZP	20
58	400102	WASHER - LOCK 5/16 SPLIT ZP	8
59	400103	WASHER - LOCK 1/4 SPLIT ZP	2
60	400117	PIN - CLEVIS 3/8 X 1 - 1/8 ZP	1
61	400118	PIN - CLEVIS 5/16 X 7/8 ZP	1
62	400120	PIN - COTTER 5/32 X 2.00 ZP	2
63	400124	PIN - COTTER 5/8 RUE-RING	1
64	400125	PIN - COTTER 3/8 RUE-RING	5
65	400185	PIN - CLEVIS 5/16 X 1 - 1/4 ZP	3
66	400278	WASHER - FENDER 3/8	3
67	400385	WASHER - CONICAL SPRING 3/8	4
68	400390	NUT - FLANGE LOCK 5/16 - 18	2
69	400392	NUT - FLANGE LOCK 3/8 - 16	4
70	400432	NUT - HEX 9/16 - 12 ZP	4
71	400473	SCREW - HEX 3/8 - 16 X 3.00 ZP FULL THREAD	2
72	400659	SCREW - HSS 1/2 DIA X .75	2
73	400076	NUT - HEX JAM SLOTTED 1 - 14 ZP	2
74	318295	BRAKE LINE - RH SW/A	1
75	318296	BRAKE LINE - LH SW/A (9X ONLY)	1
75	318297	BRAKE LINE - LH SW/A (8X ONLY)	1



BODY (SHEET METAL) GROUP - CONSOLE



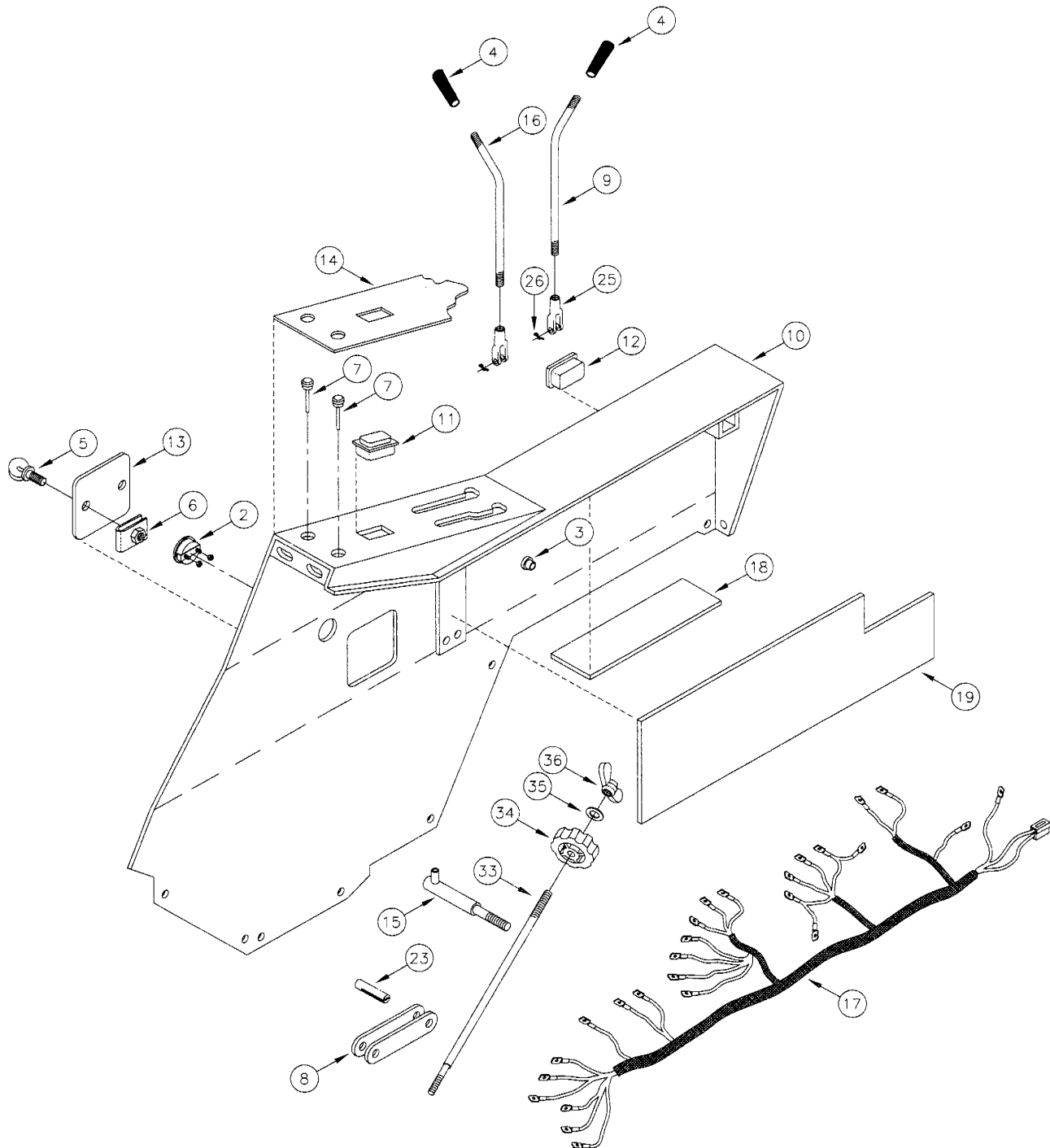
012PH001



BODY (SHEET METAL) GROUP - CONSOLE

REF#	PART #	DESCRIPTION	QUANTITY
	307080	ASSY - CONSOLE SUB ARMA	1
Above sub-assembly contains the following items. (THRU 26)			
	300376	STUD - BALL GAS SPRING	2
2	300385	GAGE - HR METER W/HEX NUT 10-24	1
3	300414	BUSHING - PLASTIC MAIN BROOM	4
4	300558	KNOB - TAPERED #145 BLACK	2
5	301147	SCREW - CAPTIVE WING HEAD	2
6	301155	CLIPNUT - 5/16-18 ZP	2
7	301553	LIGHT - TRASH RELOCATOR	2
8	307209	ASSY - PIVOT MAIN BRM LIFT PNTD	1
9	307211	ASSY - MAIN BRM LEVER SW/A PLTD	1
10	307401	ASSY - DRIVE SIDE CONSOLE PNTD	1
11	307552	SWITCH - ROCK LIGHTS ARMA	1
12	307553	SWITCH - ROCKER ENG SWING ARMA	1
13	307554	COVER - BROOM ADJ. SW/A PNTD	1
14	307591	DECAL - SIDE PANEL SW/A	1
15	307614	ASSY - PIVOT SB LIFT PNTD	1
16	307615	ASSY - LEVER CURB BROOM PLTD	1
17	307750	WIRING HARNESS - SECONDARY SW/A	1
18	307846	INSULATION - DRIVER COMP TOP	1
19	307847	INSULATION - DRIVE COMP SIDE	1
	400070	NUT - HEX 5/16-18 ZP	2
	400087	WASHER - FLAT 3/8 STANDARD ZP	4
	400102	WASHER - LOCK 5/16 SPLIT ZP	2
23	400113	PIN - CLEVIS 3/8 X 5-1/2 ZP	2
	400117	PIN - CLEVIS 3/8 X 1-1/8 ZP	1
25	400125	PIN - COTTER 3/8 RUE-RING	4
26	400185	PIN - CLEVIS 5/16 X 1-1/4 ZP	1
	400035	SCR - HHM 5/16-18 X 1.00 LG ZP	2
	400036	SCR - HHM 5/16-18 X .75 LG ZP	4
	400384	WASHER - CONICAL SPRING 5/16	6
	400390	NUT - FLANGE LOCK 5/16-18	6
	302776	MOUNT - WIRE TIE LARGE	1
	301358	TIE - WIRE	1
33	307213	ROD - LIFT MAIN BRM PLTD	1
	400075	NUT - HEX JAM 3/8-24 ZP	1

BODY (SHEET METAL) GROUP - CONSOLE (CONT.)



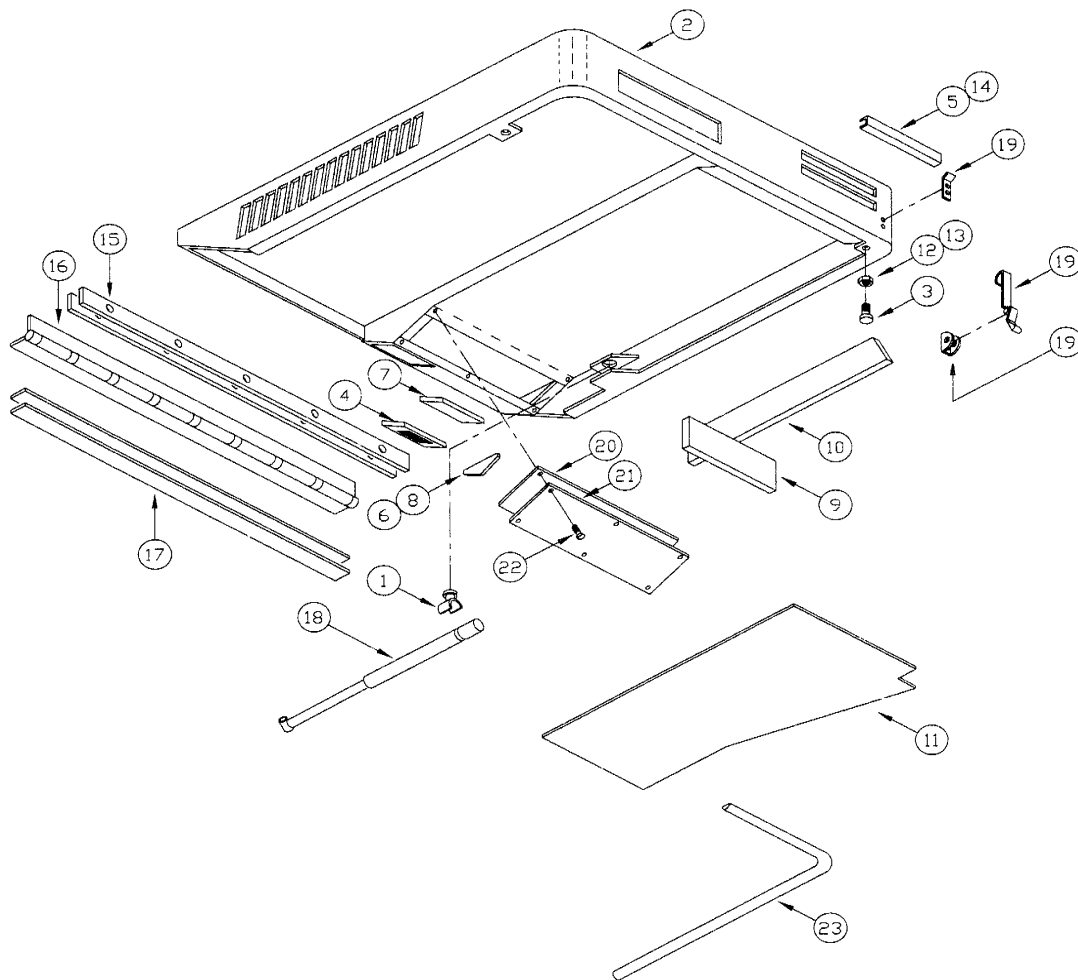
01P9H001



BODY (SHEET METAL) GROUP - CONSOLE (CONT.)

REF#	PART #	DESCRIPTION	QUANTITY
34	300352	KNOB - MB LIFT ADJ	1
35	400091	WASHER - FENDER 1/2 ZP	1
36	400084	NUT - WING 1/2-13 ZP	1
	400118	PIN - CLEVIS 5/16 X 7/8 ZP	1
	400088	WASHER - FLAT 5/16 STANDARD ZP	1
	400125	PIN - COTTER 3/8 RUE-RING	1
	307609	CABLE - CHOKE SW/A	1
	400075	NUT - HEX JAM 3/8-24 ZP	1
	307697	CLAMP - CONDUIT	1
	400045	SCR - PHM #8-32 X .62 LG ZP	1
	400096	WASHER - FLAT #8 ZP	1
	301358	TIE - WIRE	1
	400082	NUT - HEX #8-32 ES ZP	1
	301459	BALL JOINT - #10-32 ZP	1
	400103	WASHER - LOCK 1/4 SPLIT ZP	1
	307691	CLAMP - THROTTLE SW/A	1
	400180	NUT - HEX 1/4-28 ZP	1
	301358	TIE - WIRE	1

BODY (SHEET METAL) GROUP - ENGINE COVER



012PH002

BODY (SHEET METAL) GROUP - ENGINE COVER

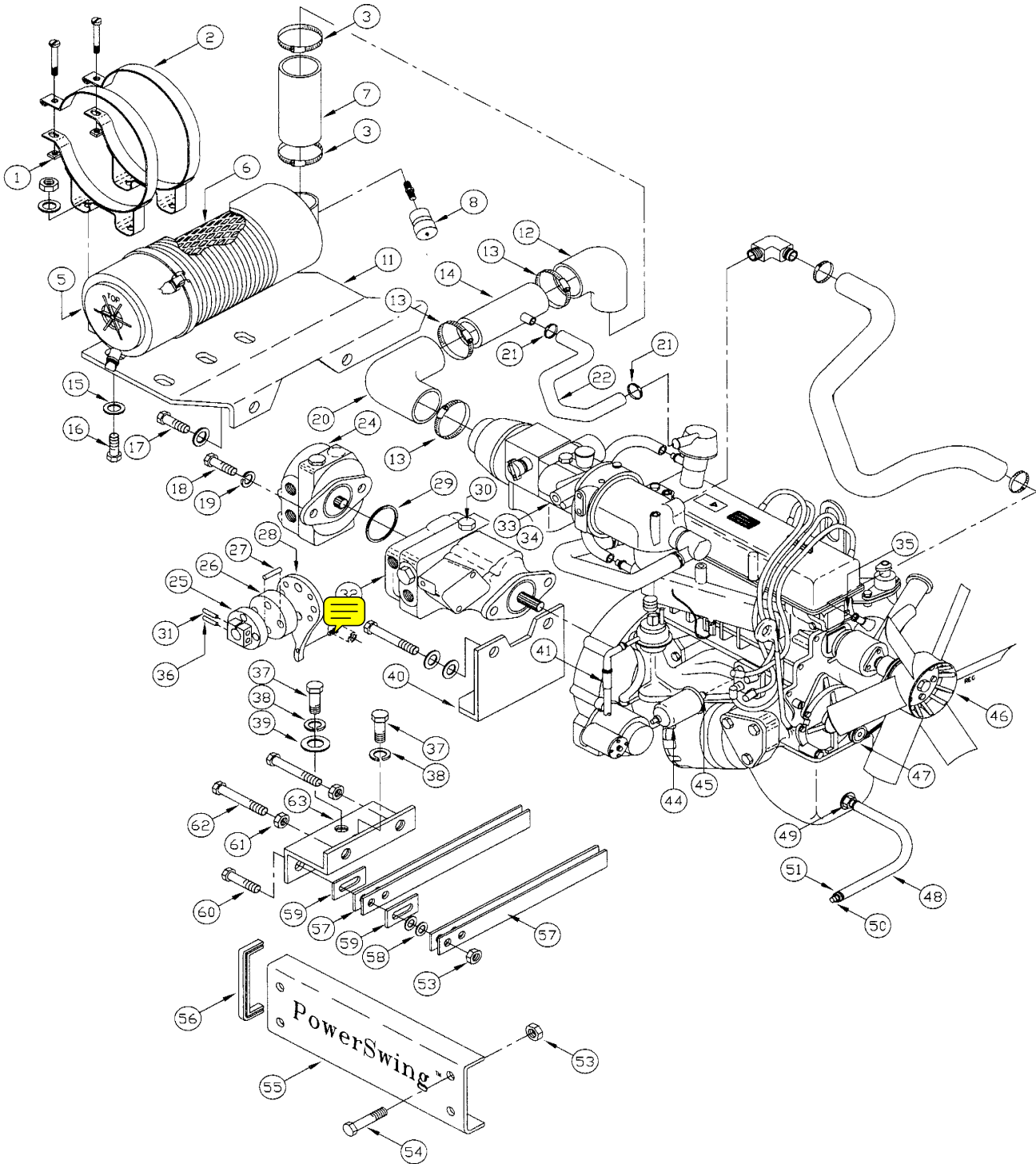
REF#	PART #	DESCRIPTION	QUANTITY
------	--------	-------------	----------

	307072	ASSY - ENGINE COVER SUB ARMA	1
--	--------	------------------------------	---

Above sub-assembly contains the following items. (1 THRU 14)

1	300376	STUD - BALL GAS SPRING	2
2	307490	ASSY - ENGINE COVER SW/A PNTD	1
3	307639	LEVELER - 5/16-18 SW/A	2
4	307776	GASKET - IMPELLER SW/A	1
5	307819	BAFFLE - ENG COVER (TEMP) PNTD	1
6	307824	INSULATION - ENGINE COVER/IMP LH	1
7	307825	INSULATION - ENGINE COVER/IMP TOP	1
8	307827	INSULATION - ENGINE COVER/IMP RH	1
9	307844	INSULATION - ENGINE COVER BACK SW/A	1
10	307845	INSULATION - ENGINE COVER RH SW/A	1
11	307849	INSULATION - ENGINE COVER TOP SW/A	1
12	400070	NUT - HEX 5/16-18 ZP	4
13	400102	WASHER - LOCK 5/16 SPLIT ZP	2
14	400441	RIVET - POP 1/8 X 1/4 STEEL	2
15	307561	SPACER - SIDE HINGE ENG CVR PNTD	2
	400036	SCR - HHM 5/16-18 X .75 LG ZP	4
	400384	WASHER - CONICAL SPRING 5/16	4
	400390	NUT - FLANGE LOCK 5/16-18	4
16	307503	HINGE - ENG COVER SW/A PNTD	1
17	307504	SPACER - HINGE ENGINE COVER PNTD	2
	400035	SCR - HHM 5/16-18 X 1.00 LG ZP	4
	400384	WASHER - CONICAL SPRING 5/16	4
	400390	NUT - FLANGE LOCK 5/16-18	4
18	307589	GAS SPRING - ENG COVER SW/A	2
19	307719	LATCH - SOFT #C7-10	1
	400441	RIVET - POP 1/8 X 1/4 ALUM	4
20	307826	INSULATION - ENG COVER/IMP COVER	1
21	307803	PLT - INSULATION ENG COVER PNTD	1
22	400059	SCR - THM 1/4-20 X .75 LG SS	6
	301146	CLIPNUT - 1/4-20	6
23	500198	SEAL - TRIM (Also used for Cab)	5.67 ft.

ENGINE (GASOLINE) GROUP

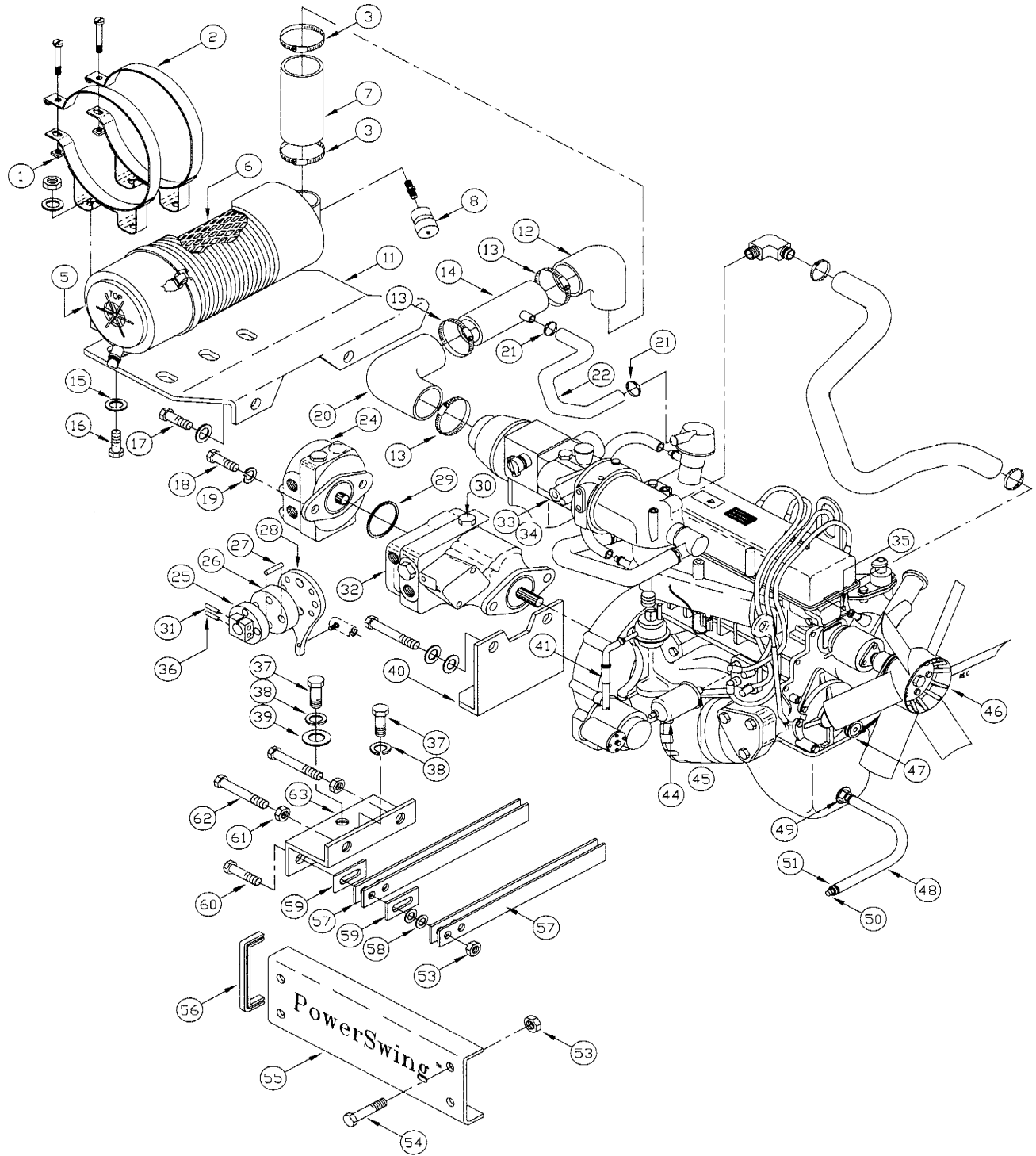


010PH001

ENGINE (GASOLINE) GROUP

REF#	PART #	DESCRIPTION	QUANTITY
1	400070	NUT-HEX 5/16-18 ZP	4
2	300459	BAND-MTG AIR CLEANER PNTD BLAC	2
3	O44112	CLAMP-HOSE 2.50 MAX WORM	5
5	317917	AIR CLNR - RADIAL SEAL FPG STYLE	1
6	321143	ELEMENT - AIR CLNR / PLASTIC (SP)	1
7	304641	TUBE - AIR INTAKE FORD 2.00	1
8	303991	INDICATOR - AIR CLEANER KIT	1
11	316227	MNT-AIR CLEANER FORD ARMA	1
12	303385	ADAPTER - 90 EL RUBBER 3.50 X 2.50	1
13	303255	CLAMP-HOSE 1 3/4 NOM.	4
14	316230	ASSY-TUBE INTAKE FORD ARMA	1
15	400102	WASHER-LOCK 5/16 SPLIT ZP	10
16	400035	SCR-HEX 5/16-18X1.00 ZP	4
17	400611	SCR-HHM 10 MM X 40 MM LG ZP	2
18	400029	SCR-HEX 3/8-16X1.25 ZP	9
19	400101	WASHER-LOCK 3/8 SPLIT ZP	9
20	317374	HOSE - AIR CLEANER SW/9X FORD	1
21	303358	CLAMP - HOSE 9/16 NOM	2
22	500139	HOSE - 5/8 ID EEC - PCV	1
24	309706	PUMP-AUX W/ FLOW DIR GAS/LP	1
25	301544	ASSY-DISC FWD/REV PLTD	1
26	301507	COUPLING-LORD DIR CNTRL	1
27	400231	SCR-HEX 5/16-18X2.0 ZP	2
28	307219	PLT-DIRECTIONAL CONT PLTD SW/A	1
29	303711	O-RING STATIC SEAL 3.239 ID	1
30	310054	VALVE-TOW OPTION	1
31	400027	SCR-HEX 3/8-16X1.75 ZP	1
32	303581	PUMP-MAIN VD FS	1
33	304921	FTG-ELL STRT 1/8 MPT X 1/8 FPT	1
34	304920	FTG-HOSE BARB 1/8MPTX5/16 HOSE	1
35	300386	SENDER-TEMP FORD	1
36	400173	SCR-HEX 1/4-20X1.75 ZP	1
37	400036	SCR - HEX, 5/16 - 18 X 0.75 ZP	1
38	400319	WASHER - LOCK 5/16 - SPLIT - SS	1
39	400088	WASHER - FLAT 5/16 STANDARD ZP	1
40	312231	MNT-FWD/REV DSL SW/62 PLTD	1
41	500104	HOSE - NEOPRENE 5/16 ID	1
	400036	SCR - HEX, 5/16 - 18 X 0.75 ZP	1
	400319	WASHER - LOCK 5/16 - SPLIT - SS	1
44	300387	SENDER-OIL PRESSURE	1
45	304622	FTG-REDUCER 1/4 MPT -1/8 FPT	1
46	340180	FORD - FAN 6-BLADE (SP)	1
47	340101	FORD - PULLEY CRK 2-GROOVE (SP)	1

ENGINE (GASOLINE) GROUP (CONT.)

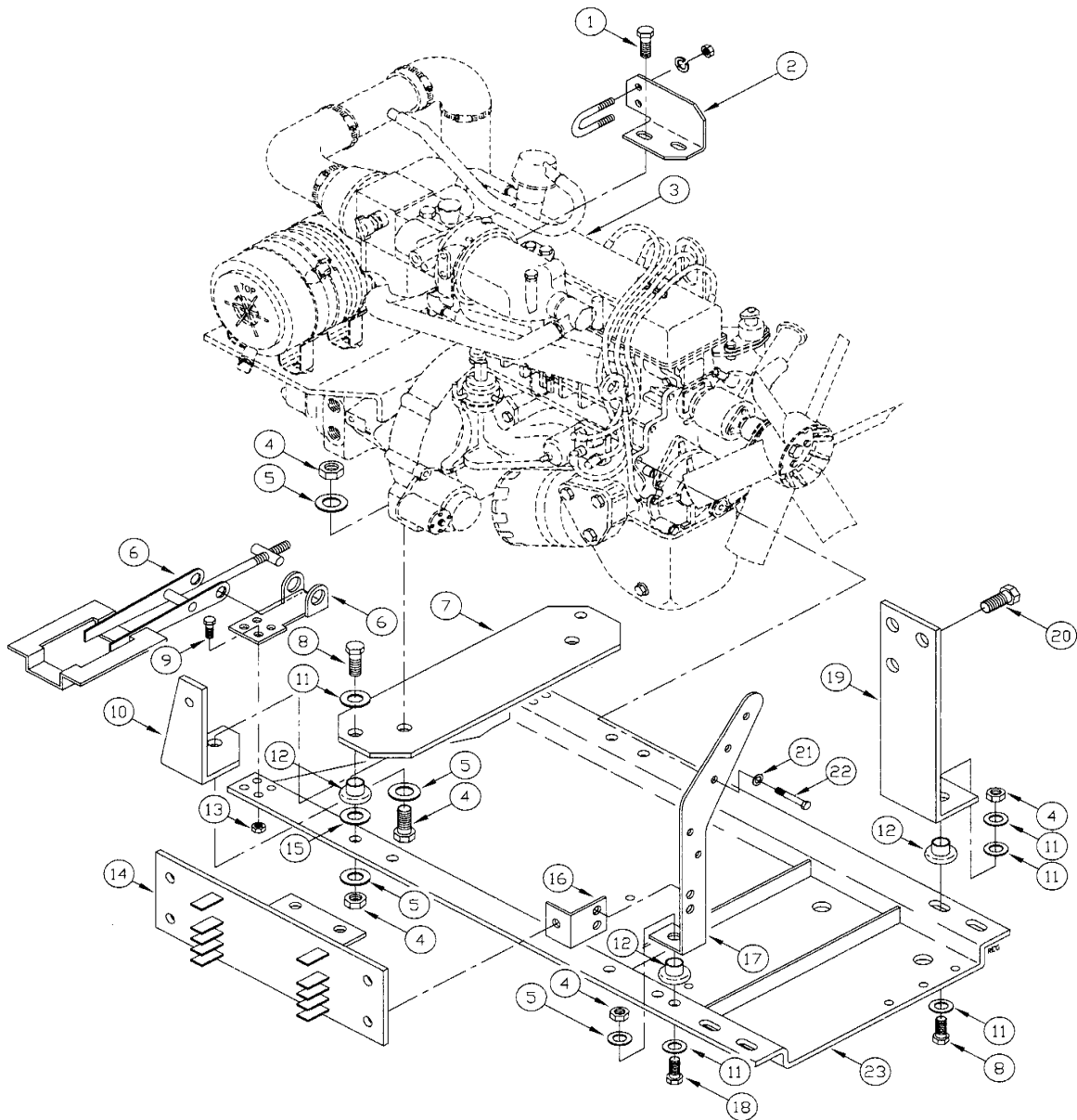


010PH001

**ENGINE (GASOLINE) GROUP (CONT.)**

REF#	PART #	DESCRIPTION	QUANTITY
48	500135	HOSE - 1/2 ID EEC / PCV	
49	302144	CLAMP - HOSE 1/2 NOM	2
50	307829	FTG - HOSE BARB 1/2 X 3/8 MPT	1
51	307830	FTG - CAP 3/8 FPT	1
53	400081	NUT-HEX 1/4-20 ES ZP	10
54	400433	SCR-HEX 1/4-20X2.50 ZP	4
55	307414	COVER-ENG HOSE RET. SW/A PNTD	1
56	500117	EDGING-VINYL TRIM 3/16" X 250'	1
57	300543	SPRING-RETURN	4
58	400089	WASHER-FLAT 1/4 STANDARD ZP	6
59	303918	SPACER-FWD/REV BRKT PLTD	2
60	400149	SCR-HEX 1/4-20X1.50 ZP	2
61	400069	NUT-HEX 5/16-24 ZP	2
62	400228	SCR-HEX 5/16-24X1.5 ZP FULL TH	2
63	302115	BRKT-FWD/REV PLTD	1

ENGINE (GASOLINE) GROUP (CONT.)



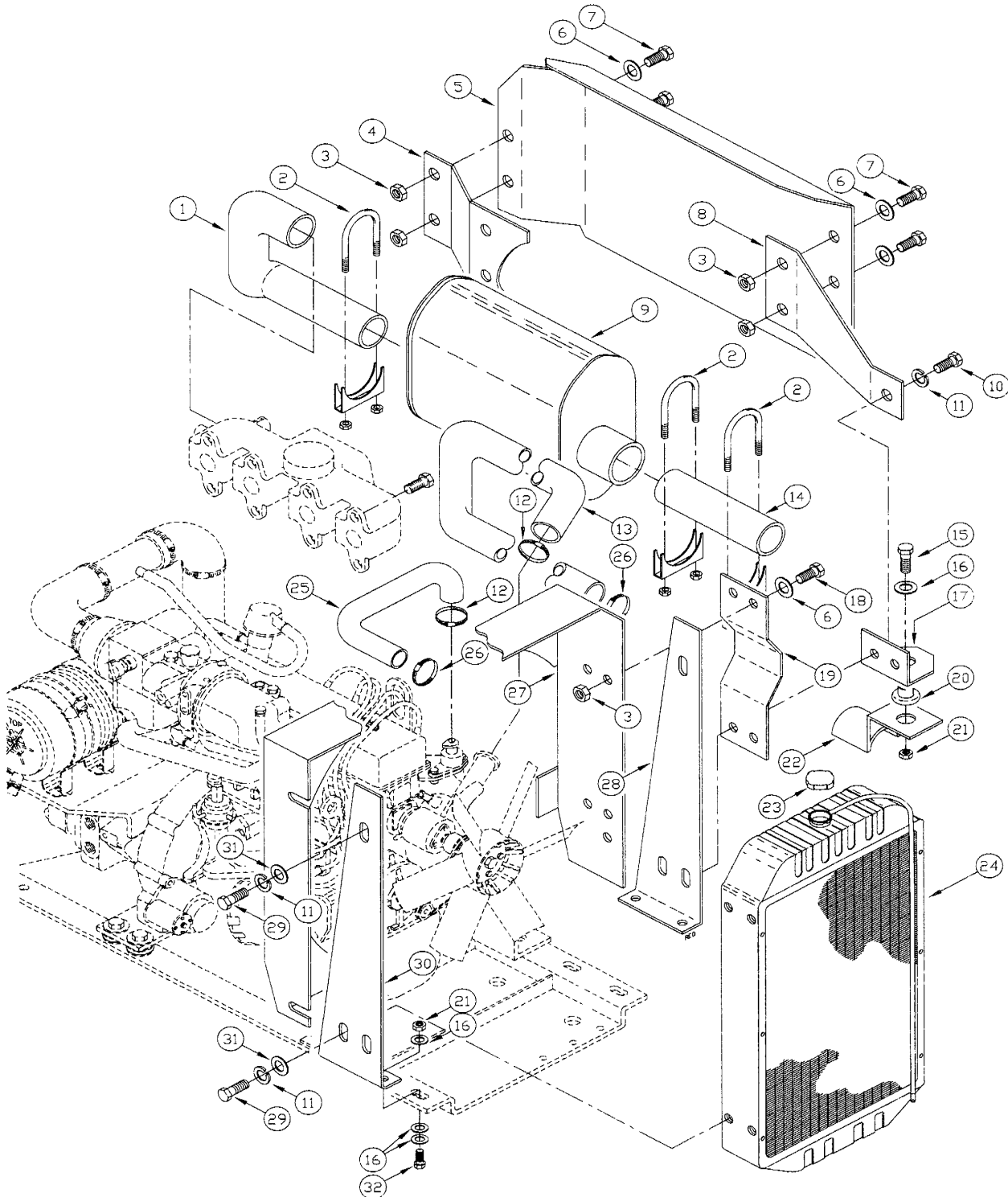
010PH002



ENGINE (GASOLINE) GROUP (CONT.)

REF#	PART #	DESCRIPTION	QUANTITY
1	400290	SCR-HEX 6MMX1.00PX20MM ZP	2
2	316226	MNT-THROTTLE FORD ARMA	1
3	316233	ENGINE-FORD 1.3L GAS ARMA	1
4	400065	NUT-HEX 1/2-13 ZP	4
5	400098	WASHER-LOCK 1/2 SPLIT ZP	4
6	307377	LATCH-ENGINE SW/A	1
7	316160	MOUNT - REAR ENG FORD ARMA	1
8	400019	SCR-HEX 1/2-13X2.50 ZP	3
9	400042	SCR-HEX 1/4-20X0.75 ZP	8
10	316161	BRKT-HYD HOSE RET RR FORD ARMA	1
11	400091	WASHER-FENDER 1/2 ZP	3
12	300464	MOUNT-ISOLATION LARGE	4
13	400081	NUT-HEX 1/4-20 ES ZP	10
14	307409	ASSY-HOSE RETAINER ENG PNTD	1
15	306315	SPACER-ENG MNT FORD 1.3L PLTD	2
16	316170	BRKT-HYD HOSE RET FRT FRD ARMA	1
17	316169	MNT-ENG FRONT RH FORD ARMA	1
18	400020	SCR-HEX 1/2-13X2.00 ZP	3
19	316168	MNT-ENG FRONT LH FORD ARMA	1
20	400611	SCR-HHM 10 MM X 40 MM LG ZP	2
21	400101	WASHER-LOCK 3/8 SPLIT ZP	9
22	400030	SCR-HEX 3/8-16X1.00 ZP	4
23	307356	ASSY-ENG PAN TYA SW/A PNTD	1

ENGINE (GASOLINE) GROUP (CONT.)

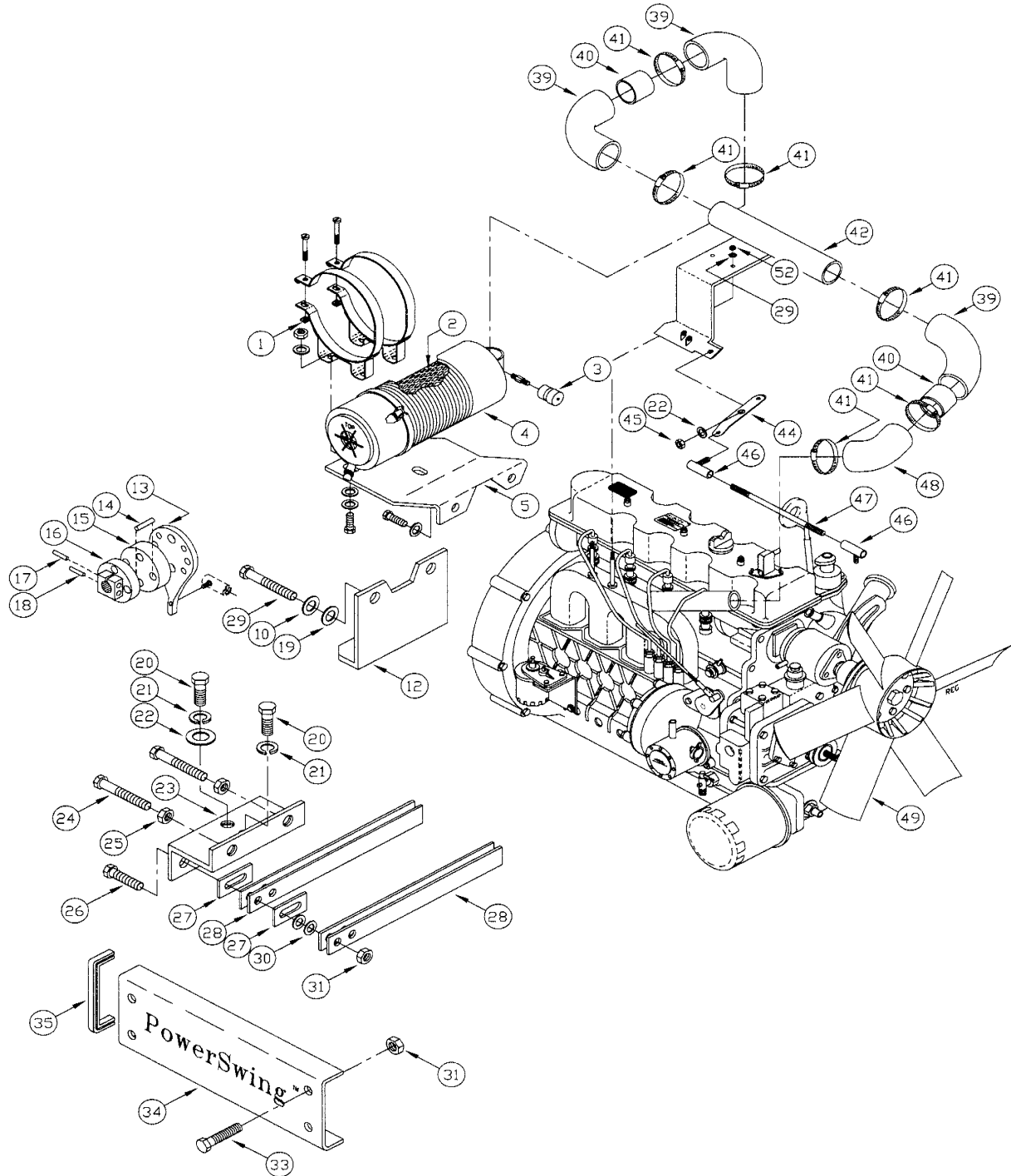


010PH003

ENGINE (GASOLINE) GROUP (CONT.)

REF#	PART #	DESCRIPTION	QUANTITY
1	316165	TUBE-EXHAUST MANIFLD FORD ARMA	1
2	301640	CLAMP-EXHAUST 1 3/4	4
3	400063	NUT-FLANGE LOCK 1/4-20 ZP	8
4	316166	MNT-HEAT SHIELD REAR FORD ARMA	1
5	307787	PLT-HEAT SHIELD SW/A	1
6	400383	WASHER-CONICAL SPRING 1/4	8
7	400042	SCR-HEX 1/4-20X0.75 ZP	8
8	307973	MNT-HEAT SHIELD REAR KBA PNTD	1
9	302913	MUFFLER-SPARK ARRESTOR SW KIT	1
10	400035	SCR-HEX 5/16-18X1.00 ZP	4
11	400102	WASHER-LOCK 5/16 SPLIT ZP	10
12	302193	CLAMP-HOSE 1.25 NOM	2
13	317672	HOSE-RADIATOR LOWER 1.3L FORD	1
14	300538	TUBE-EXHAUST TAIL SW	1
15	400028	SCR-HEX 3/8-16X1.50 ZP	3
16	400278	WASHER-FENDER 3/8	13
17	307797	MNT-EXHAUST PIPE SW/A PNTD	1
18	400043	SCR-HEX 1/4-20X.50 ZP	4
19	316173	STRAP-SHROUD RAD FORD ARMA	1
20	300465	MOUNT-ISOLATION SMALL	1
21	400079	NUT-HEX 3/8-16 ES ZP	5
22	307798	BAR-MOUNT EXHAUST SW/A PLTD	1
23	300420	CAP-RADIATOR	1
24	301995	RADIATOR-HEAVY DUTY	1
25	317658	HOSE - RADIATOR UPPER 1.3L FORD	1
26	303255	CLAMP-HOSE 1 3/4 NOM.	4
27	317667	ASSY-SHROUD RAD FORD 1.3L	1
28	307175	MNT RH-RADIATOR SW/A PNTD	1
29	400036	SCR-HEX 5/16-18X0.75 ZP	6
30	307176	MNT LH-RADIATOR SW/A PNTD	1
31	400088	WASHER-FLAT 5/16 STANDARD ZP	6
32	400029	SCR-HEX 3/8-16X1.25 ZP	9

ENGINE (DIESEL) GROUP



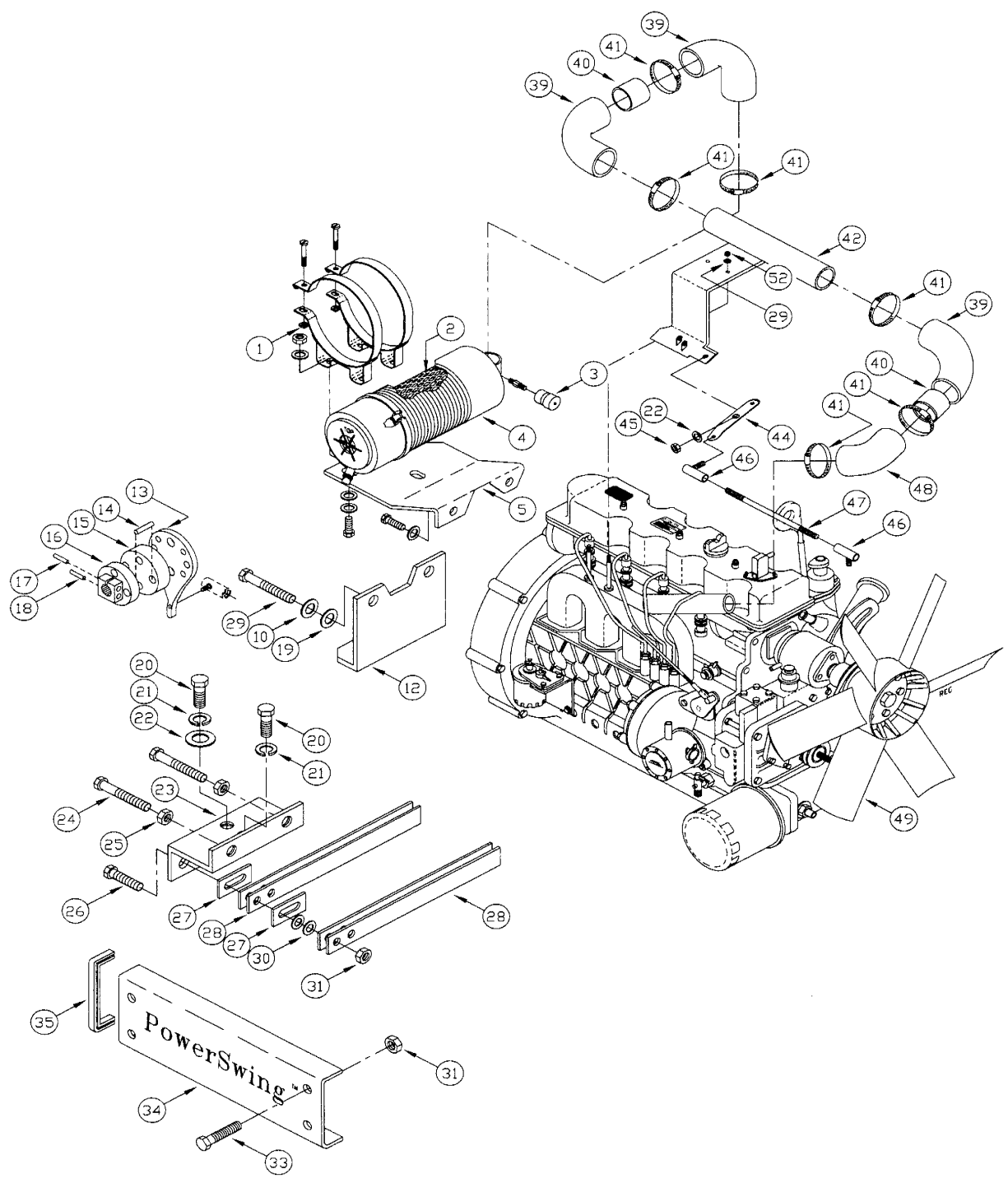
010PH004



ENGINE (DIESEL) GROUP

REF#	PART #	DESCRIPTION	QUANTITY
1	400071	NUT - HEX 1/4 - 20 ZP	2
2	321143	ELEMENT - AIR CLNR/PLASTIC (SP)	1
3	303991	INDICATOR - AIR CLEANER KIT	1
4	317917	AIR CLNR - RADIAL SEAL FPG STYLE	1
5	315500	MNT- AIR CLEANER HAYES	1
6	310054	VALVE - TOW OPTION	1
7	303711	O-RING STATIC SEAL 3.239 ID	1
8	309706	PUMP - AUX W/FLOW DIR GAS/LP	1
9	400029	SCR - HEX 3/8 - 16 X 1.25 ZP	9
10	400101	WASHER - LOCK 3/8 SPLIT ZP	9
11	303581	PUMP - MAIN VD FS	1
12	312231	MNT - FWD/REV DSL SW/62 PLTD	1
13	307219	PLT - DIRECTIONAL CONT PLTD SW/A	1
14	300339	SLEEVE - SQ & FWD /REV	2
15	301507	COUPLING - LORD DIR CNTRL	1
16	301544	ASSY - DISC FWD/REV PLTD	1
17	400173	SCR - HEX 1/4 - 20 X 1.75 ZP	1
18	400027	SCR - HEX 3/8 - 16 X 1.75 ZP	1
19	400087	WASHER - FLAT 3/8 STANDARD ZP	4
20	400036	SCR - HEX 5/16 - 18 X 0.75 ZP	6
21	400102	WASHER - LOCK 5/16 SPLIT ZP	10
22	400088	WASHER - FLAT 5/16 STANDARD ZP	6
23	302115	BRKT - FWD/REV PLTD	1
24	400228	SCR - HEX 5/16 -24 X 1.5 ZP FULL TH	2
25	400069	NUT - HEX 5/16 - 24 ZP	2
26	400149	SCR - HEX 1/4 - 20 X 1.50 ZP	2
27	303918	SPACER - FWD/REV BRKT PLTD	2
28	300543	SPRING - RETURN	4
29	400028	SCR - HEX 3/8 - 16 X 1.50 ZP	3
30	400089	WASHER - FLAT 1/4 STANDARD ZP	6
31	400081	NUT - HEX 1/4 - 20 ES ZP	10
33	400433	SCR - HEX 1/4 - 20 X 2.50 ZP	4
34	307414	COVER - ENG HOSE RET. SW/A PNTD	1
35	500117	EDGING - VINYL TRIM 3/16" X 250'	1
39	303385	ADAPTER - 90 EL RUBBER 3.50 X 2.50	1
40	304641	TUBE - AIR INTAKE FORD 2.00	1
41	044112	CLAMP - HOSE 2.50 MAX WORM (#32)	5
42	315528	ASSY - THROTTLE MNT DSL SW/8X	1
43	305504	MOUNT - BELLCRANK/AIR CLEANER	1
44	307950	ASSY - BELLCRANK KBA DSL PNTD	1

ENGINE (DIESEL) GROUP (CONT.)

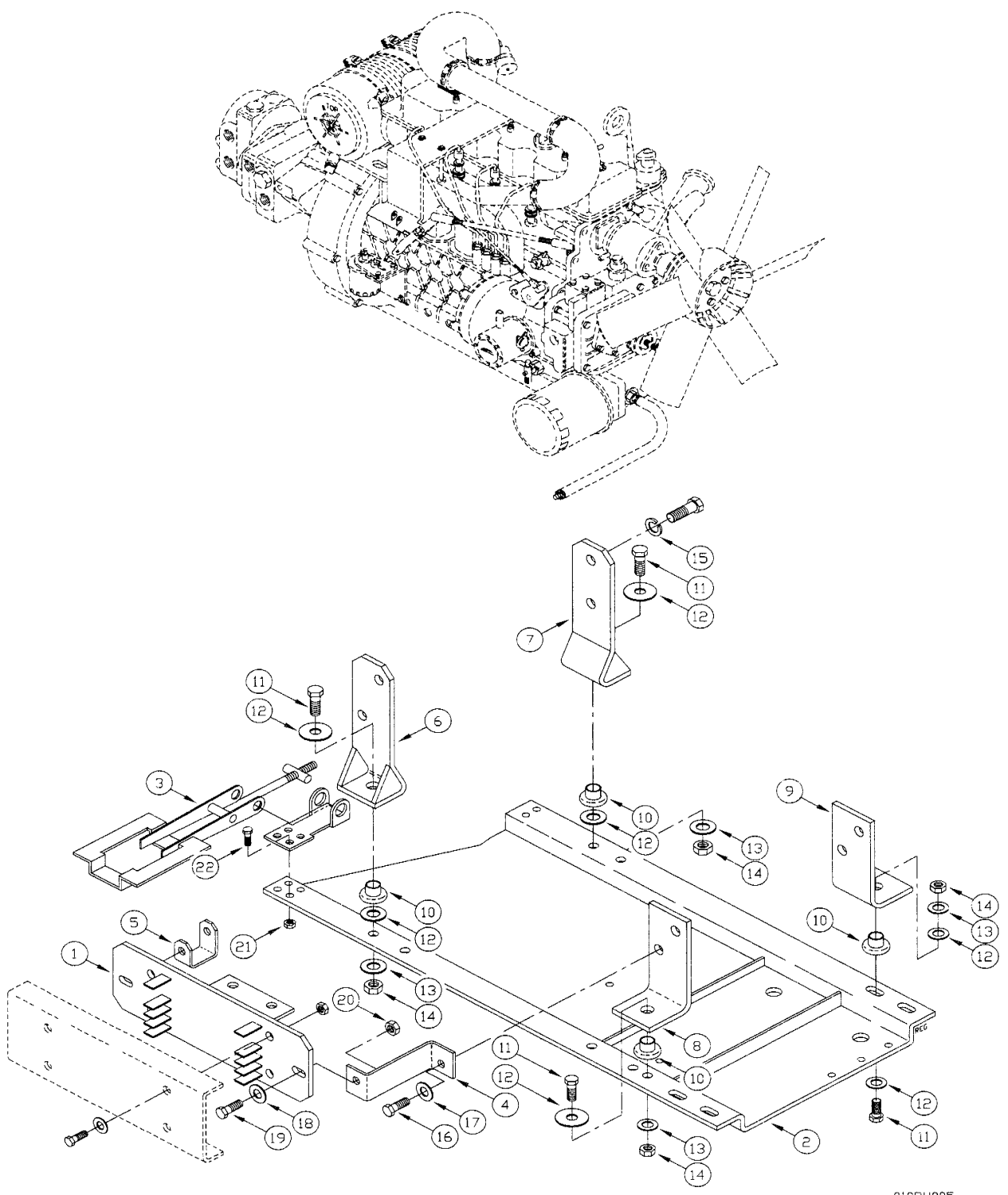


010PH004

**ENGINE (DIESEL) GROUP (CONT.)**

REF#	PART #	DESCRIPTION	QUANTITY
45	400079	NUT - HEX 3/8 - 16 ES ZP	5
46	301199	BALL JOINT - 1/4 - 28	1
47	307694	ROD - THROTTLE TYA SW/A PLTD	1
48	307980	ELBOW - INTAKE KBA DSL	1
49	305578	FAN - ENGINE KUBOTA (SP)	1

ENGINE (DIESEL) GROUP (CONT.)



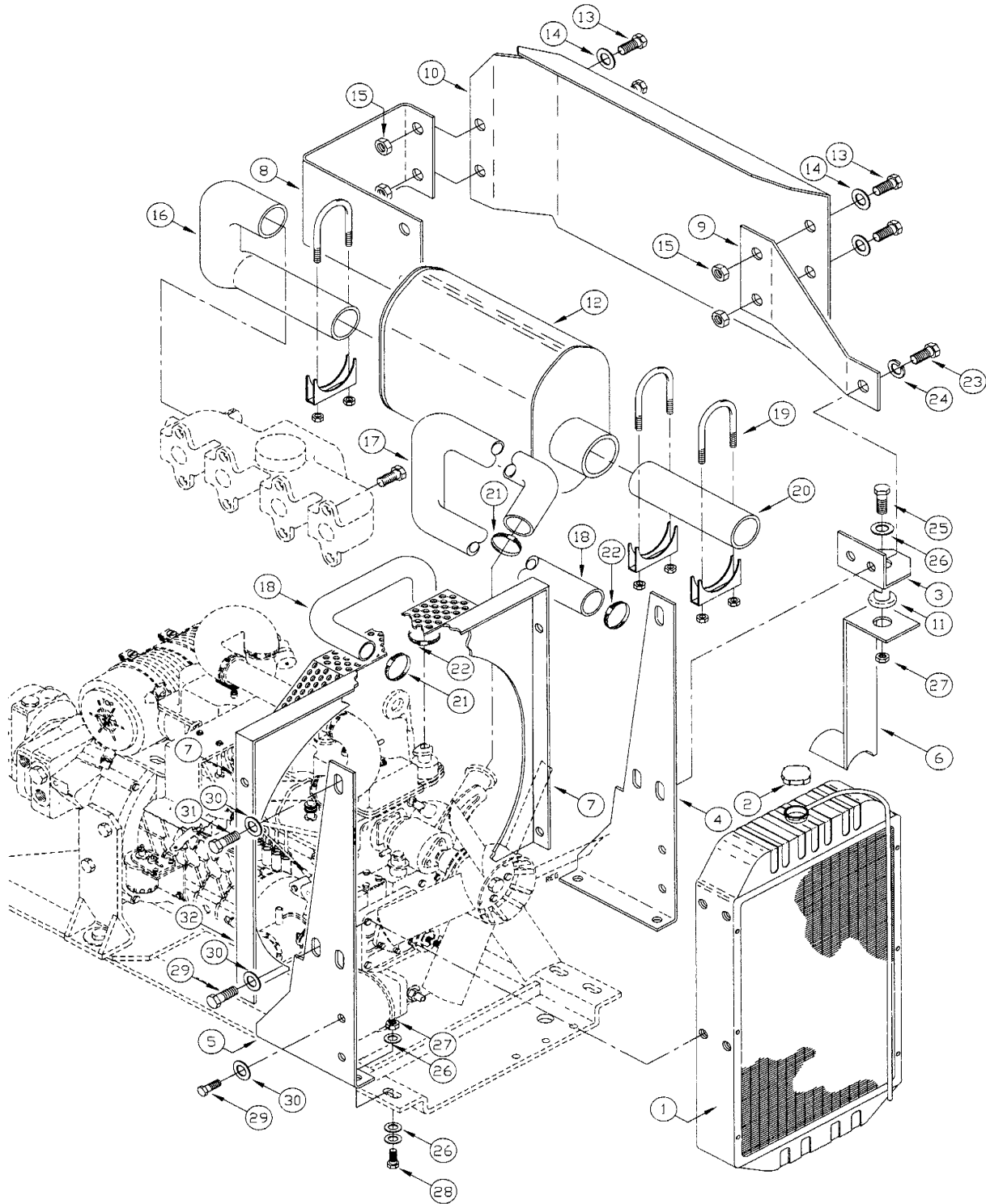
010PH005



ENGINE (DIESEL) GROUP (CONT.)

REF#	PART #	DESCRIPTION	QUANTITY
1	307409	ASSY - HOSE RETAINER ENG PNTD	1
2	307356	ASSY - ENG PAN TYA SW/A PNTD	1
3	307377	LATCH - ENGINE SW/A	1
4	307935	BRKT - HOSE RETAIN KBA DSL PNTD	1
5	315508	MNT - HOSE RETAINER BRKT	1
6	315501	WELDMENT - ENG MOUNT KBA OUTER	1
7	315505	WELDMENT - ENG MOUNT KBA INNER	1
8	307919	MNT - ENG REAR OUTER KBA PNTD	1
9	307918	MNT - ENG REAR INNER KBA PNTD	1
10	300464	MOUNT - ISOLATION	4
11	400020	SCR - HEX 1/2 - 13 X 2.00 ZP	4
12	400091	WASHER - FENDER 1/2 ZP	8
13	400098	WASHER - LOCK 1/2 SPLIT ZP	12
14	400065	NUT - HEX 1/2 - 13 ZP	4
15	400614	WASHER - LOCK 14 MM	8
16	400402	SCR - HEX 12 MM X 1.25 P X 40 MM ZP	1
17	400099	WASHER - LOCK 7/16 SPLIT ZP	1
18	400278	WASHER - FENDER 3/8	1
19	400030	SCR - HEX 3/8 - 16 X 1.00 ZP	1
20	400079	NUT - HEX 3/8 - 16 ES ZP	1
21	400081	NUT - HEX 1/4 - 20 ES ZP	4
22	400042	SCR - HEX 1/4 - 20 X .75 ZP	4

ENGINE (DIESEL) GROUP (CONT.)



010PH006

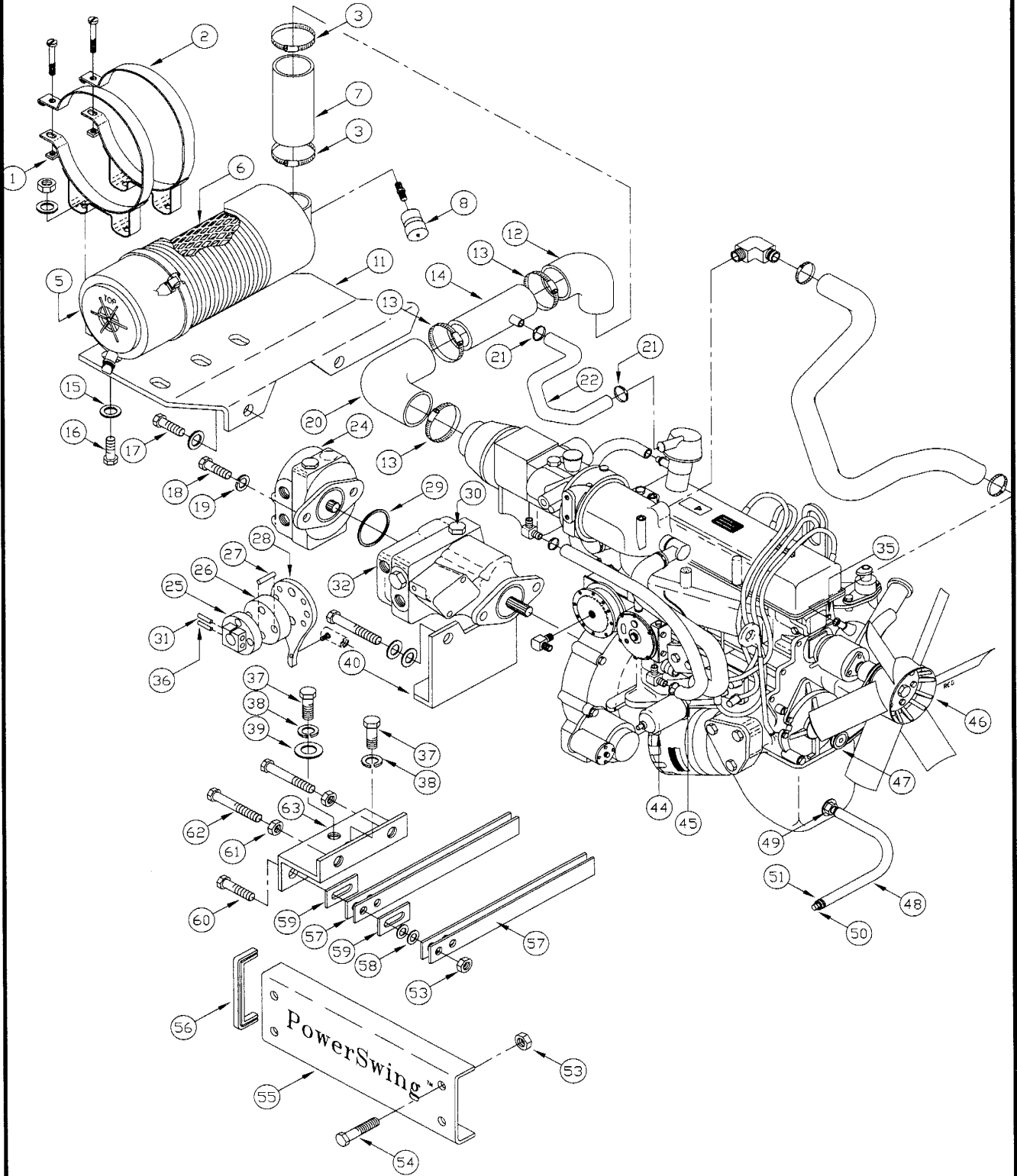


ENGINE (DIESEL) GROUP (CONT.)

REF#	PART #	DESCRIPTION	QUANTITY
1	301995	RADIATOR - HEAVY DUTY	1
2	300420	CAP - RADIATOR	1
3	307797	MNT - EXHAUST PIPE SW/A PNTD	1
4	307920	MNT - RH - RAD KBA DSL PNTD	1
5	307921	MNT - LH - RAD KBA DSL PNTD	1
6	307936	BAR - EXH MNT KBA DSL PLTD	1
7	315781	SHROUD - RADIATOR SW/8X & 9X	1
8	315507	MOUNT - HEAT SHIELD 9X DSL HAYES	1
9	307973	MNT - HEAT SHIELD REAR KBA PNTD	1
10	307787	PLT - HEAT SHIELD SW/A	1
11	300465	MOUNT - ISOLATION	1
12	302913	MUFFLER - SPARK ARRESTOR SW KIT	1
13	400042	SCR - HEX 1/4 - 20 X .75 ZP	4
14	400383	WASHER - CONICAL SPRING 1/4	4
15	400063	NUT - FLANGE LOCK 1/4 - 20 ZP	4
16	307942	ASSY - TUBE EXH MANIF KBA PNTD	1
17	315321	HOSE - RADIATOR LOWER KBA	1
18	315368	HOSE - RADIATOR UPPER KBA	1
19	301640	CLAMP - EXHAUST 1 3/4	3
20	307556	TUBE - EXHAUST TAIL TYA SW/A	1
21	302193	CLAMP - HOSE 1.25 NOM	2
22	303255	CLAMP - 1.25 NOM	2
23	400035	SCR - HEX 5/16 - 18 X 1.00 ZP	1
24	400319	WASHER - LOCK 5/16 - 18 X 1.50 ZP	1
25	400028	SCR - HEX 3/8 - 16 X 1.50 ZP	1
26	400278	WASHER - FENDER 3/8	5
27	400079	NUT - HEX 3/8 - 16 ES ZP	5
28	400029	SCR - HEX 3/8 - 16 X 1.25 ZP	4
29	400036	SCR - HEX 5/16 - 18 X 0.75 ZP	6
30	400384	WASHER - CONICAL SPRING 5/16	6



ENGINE (LPG) GROUP



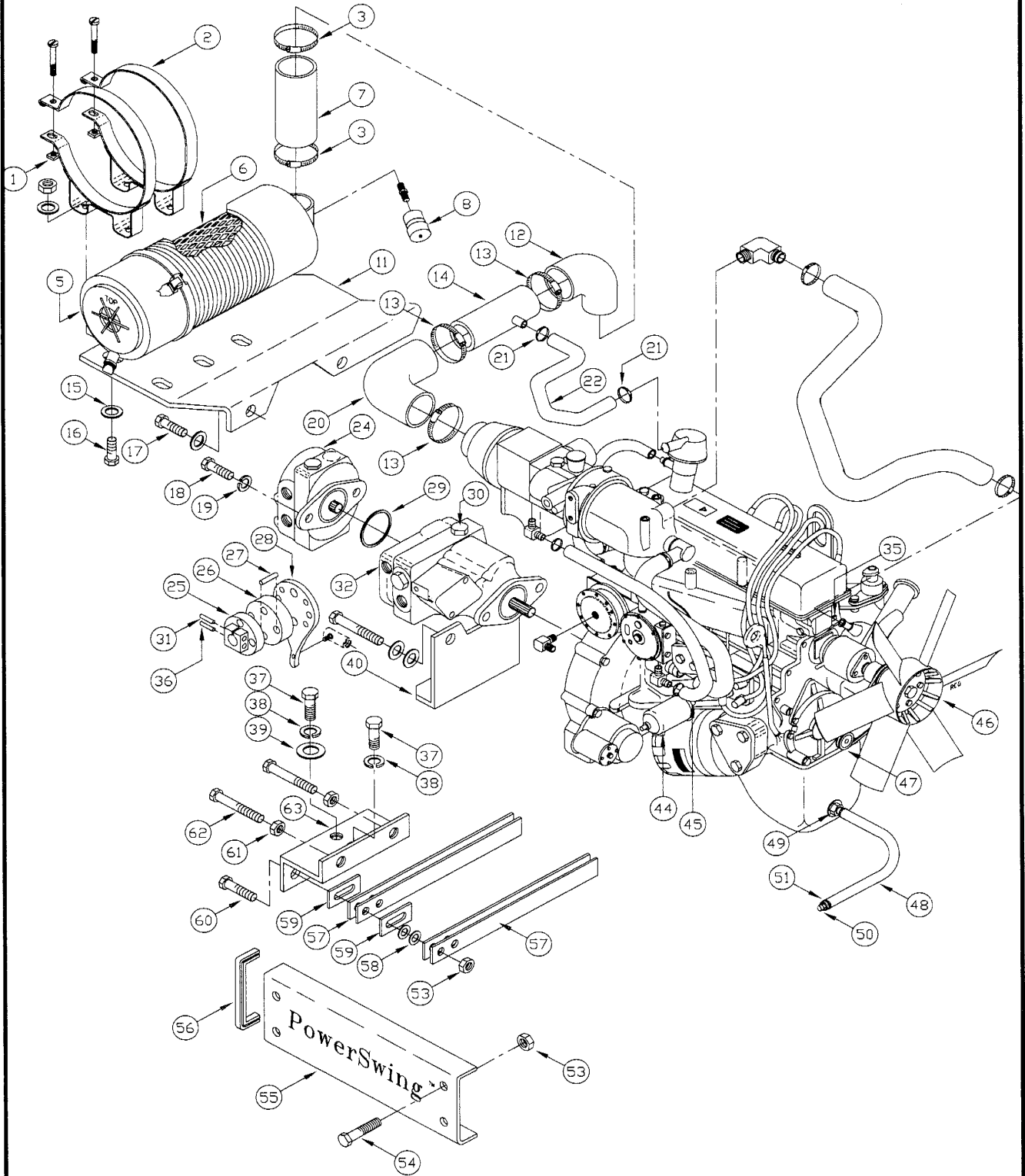
010PH007

ENGINE (LPG) GROUP

REF#	PART #	DESCRIPTION	QUANTITY
1	400070	NUT-HEX 5/16-18 ZP	4
2	300459	BAND-MTG AIR CLEANER PNTD BLAC	2
3	O44112	CLAMP-HOSE 2.50 MAX WORM	5
5	317917	AIR CLNR - RADIAL SEAL FPG STYLE	1
6	321143	ELEMENT - AIR CLNR / PLASTIC (SP)	1
7	304641	TUBE - AIR INTAKE FORD 2.00	1
8	303991	INDICATOR - AIR CLEANER KIT	1
11	316227	MNT-AIR CLEANER FORD ARMA	1
12	303385	ADAPTER - 90 EL RUBBER 3.50 X 2.50	1
13	303255	CLAMP-HOSE 1 3/4 NOM.	4
14	316230	ASSY-TUBE INTAKE FORD ARMA	1
15	400102	WASHER-LOCK 5/16 SPLIT ZP	10
16	400035	SCR-HEX 5/16-18X1.00 ZP	4
17	400611	SCR-HHM 10 MM X 40 MM LG ZP	2
18	400029	SCR-HEX 3/8-16X1.25 ZP	9
19	400101	WASHER-LOCK 3/8 SPLIT ZP	9
20	317374	HOSE - AIR CLEANER SW/9X FORD	1
21	303358	CLAMP - HOSE 9/16 NOM	1
22	500139	HOSE - 5/8 ID EEC - PCV	1
24	309706	PUMP-AUX W/ FLOW DIR GAS/LP	1
25	301544	ASSY-DISC FWD/REV PLTD	1
26	301507	COUPLING-LORD DIR CNTRL	1
27	400231	SCR-HEX 5/16-18X2.0 ZP	2
28	307219	PLT-DIRECTIONAL CONT PLTD SW/A	1
29	303711	O-RING STATIC SEAL 3.239 ID	1
30	310054	VALVE-TOW OPTION	1
31	400027	SCR-HEX 3/8-16X1.75 ZP	1
32	303581	PUMP-MAIN VD FS	1
35	300386	SENDER-TEMP FORD	1
36	400173	SCR-HEX 1/4-20X1.75 ZP	1
37	400036	SCR - HEX, 5/16 - 18 X 0.75 ZP	1
38	400319	WASHER - LOCK 5/16 - SPLIT - SS	1
39	400088	WASHER - FLAT 5/16 STANDARD ZP	1
40	312231	MNT-FWD/REV DSL SW/62 PLTD	1
44	300387	SENDER-OIL PRESSURE	1
45	304622	FTG-REDUCER 1/4 MPT -1/8 FPT	1
46	340101	FORD - PULLEY CRK 2-GROOVE (SP)	1
47	340180	FORD - FAN 6-BLADE (SP)	1
48	303302	FTG-REDUCER 3/8 FPT X 1/4 MPT	1
49	400190	FTG-90 EL 1/2 TUBE TO 3/8 MPT	1
50	307829	FTG-HOSE BARB 1/2 X 3/8 MPT	1
51	500135	HOSE - 1/2 ID EEC - PCV	1



ENGINE (LPG) GROUP (CONT.)

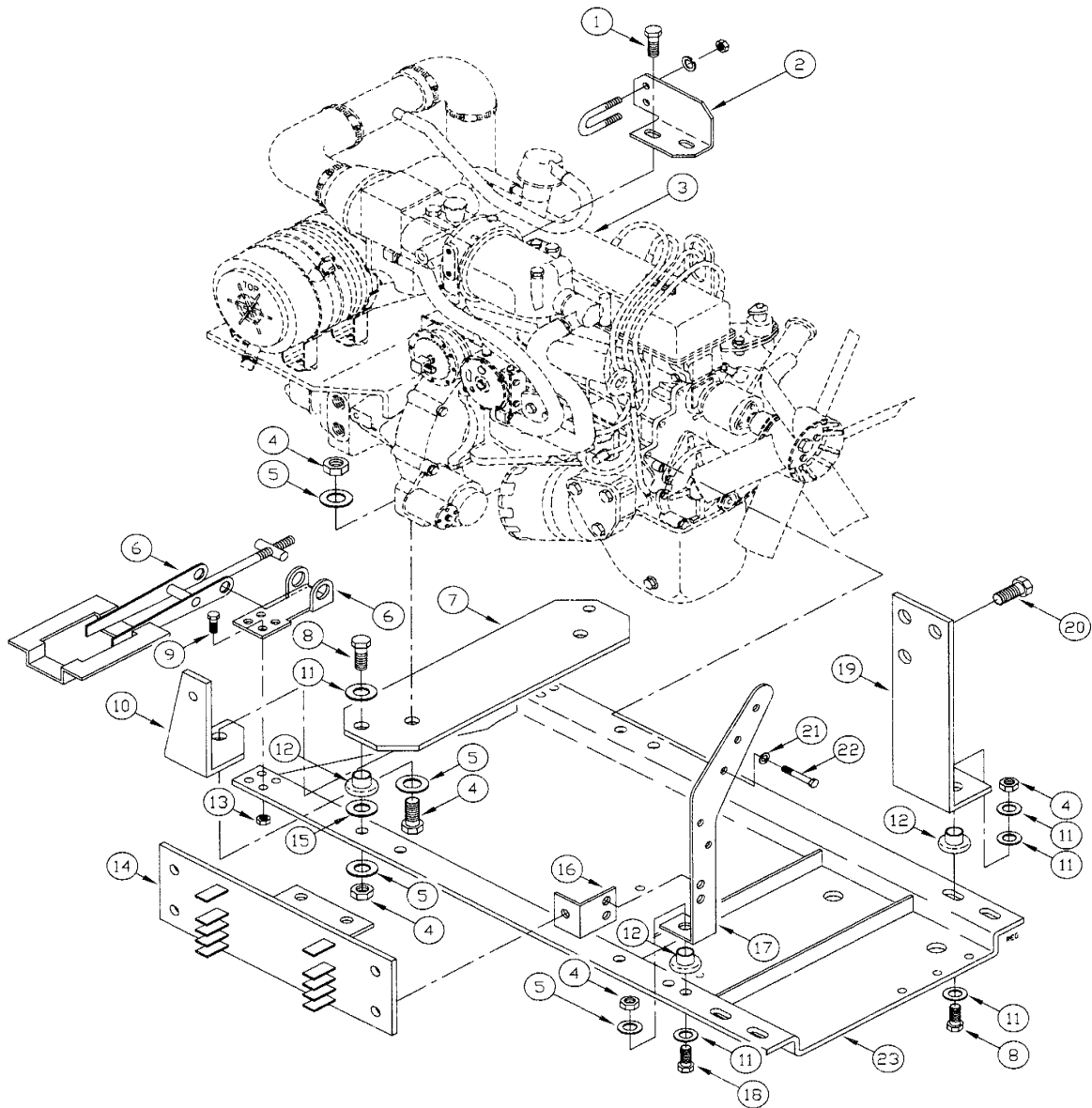


010PH007

**ENGINE (LPG) GROUP (CONT.)**

REF#	PART #	DESCRIPTION	QUANTITY
53	400081	NUT-HEX 1/4-20 ES ZP	10
54	400433	SCR-HEX 1/4-20X2.50 ZP	4
55	307414	COVER-ENG HOSE RET. SW/A PNTD	1
56	500117	EDGING-VINYL TRIM 3/16" X 250'	1
57	300543	SPRING-RETURN	4
58	400089	WASHER-FLAT 1/4 STANDARD ZP	6
59	303918	SPACER-FWD/REV BRKT PLTD	2
60	400149	SCR-HEX 1/4-20X1.50 ZP	2
61	400069	NUT-HEX 5/16-24 ZP	2
62	400228	SCR-HEX 5/16-24X1.5 ZP FULL TH	2
63	302115	BRKT-FWD/REV PLTD	1

ENGINE (LPG) GROUP (CONT.)



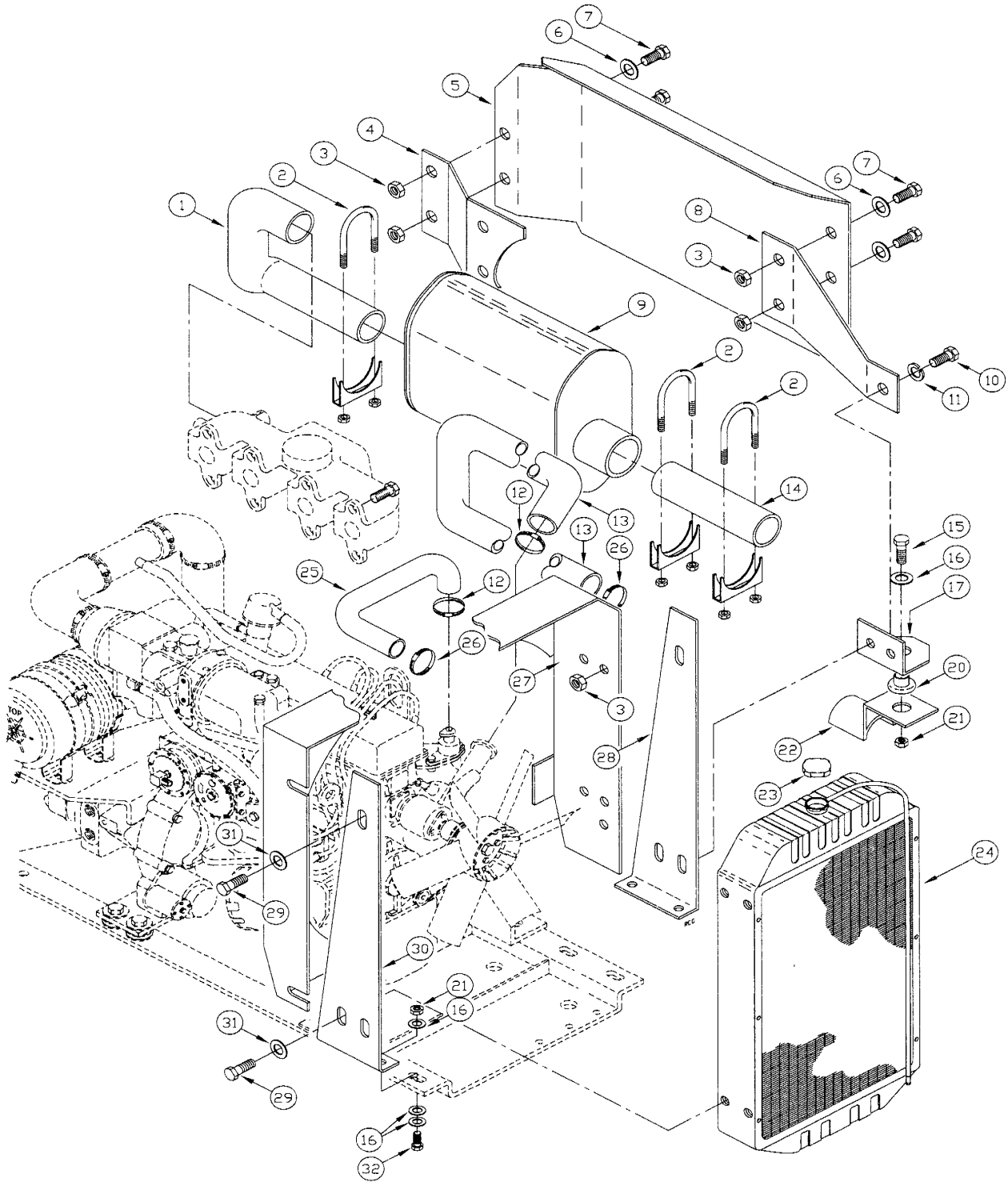
010PH008



ENGINE (LPG) GROUP (CONT.)

REF#	PART #	DESCRIPTION	QUANTITY
1	400290	SCR-HEX 6MMX1.00PX20MM ZP	2
2	316226	MNT-THROTTLE FORD ARMA	1
3	316233	ENGINE-FORD 1.3L GAS ARMA	1
4	400065	NUT-HEX 1/2-13 ZP	4
5	400098	WASHER-LOCK 1/2 SPLIT ZP	4
6	307377	LATCH-ENGINE SW/A	1
7	316160	MOUNT - REAR ENG FORD ARMA	1
8	400019	SCR-HEX 1/2-13X2.50 ZP	3
9	400042	SCR-HEX 1/4-20X0.75 ZP	8
10	316161	BRKT-HYD HOSE RET RR FORD ARMA	1
11	400091	WASHER-FENDER 1/2 ZP	3
12	300464	MOUNT-ISOLATION LARGE	4
13	400081	NUT-HEX 1/4-20 ES ZP	10
14	307409	ASSY-HOSE RETAINER ENG PNTD	1
15	306315	SPACER-ENG MNT FORD 1.3L PLTD	2
16	316170	BRKT-HYD HOSE RET FRT FRD ARMA	1
17	316169	MNT-ENG FRONT RH FORD ARMA	1
18	400020	SCR-HEX 1/2-13X2.00 ZP	3
19	316168	MNT-ENG FRONT LH FORD ARMA	1
20	400611	SCR-HHM 10 MM X 40 MM LG ZP	2
21	400101	WASHER-LOCK 3/8 SPLIT ZP	9
22	400030	SCR-HEX 3/8-16X1.00 ZP	4
23	307356	ASSY-ENG PAN TYA SW/A PNTD	1

ENGINE (LPG) GROUP (CONT.)



010PH009



ENGINE (LPG) GROUP (CONT.)

REF#	PART #	DESCRIPTION	QUANTITY
1	316165	TUBE-EXHAUST MANIFLD FORD ARMA	1
2	301640	CLAMP-EXHAUST 1 3/4	4
3	400063	NUT-FLANGE LOCK 1/4-20 ZP	8
4	316166	MNT-HEAT SHIELD REAR FORD ARMA	1
5	307787	PLT-HEAT SHIELD SW/A	1
6	400383	WASHER-CONICAL SPRING 1/4	8
7	400042	SCR-HEX 1/4-20X0.75 ZP	8
8	307973	MNT-HEAT SHIELD REAR KBA PNTD	1
9	302913	MUFFLER-SPARK ARRESTOR SW KIT	1
10	400035	SCR-HEX 5/16-18X1.00 ZP	4
11	400102	WASHER-LOCK 5/16 SPLIT ZP	10
12	302193	CLAMP-HOSE 1.25 NOM	2
13	317672	HOSE-RADIATOR LOWER 1.3L FORD	1
14	300538	TUBE-EXHAUST TAIL SW	1
15	400028	SCR-HEX 3/8-16X1.50 ZP	3
16	400278	WASHER-FENDER 3/8	13
17	307797	MNT-EXHAUST PIPE SW/A PNTD	1
20	300465	MOUNT-ISOLATION SMALL	1
21	400079	NUT-HEX 3/8-16 ES ZP	5
22	307798	BAR-MOUNT EXHAUST SW/A PLTD	1
23	300420	CAP-RADIATOR	1
24	301995	RADIATOR-HEAVY DUTY	1
25	316233	HOSE-RADIATOR UPPER 1.3L FORD	1
26	303255	CLAMP-HOSE 1 3/4 NOM.	4
27	317667	ASSY-SHROUD RAD FORD 1.3L	1
28	307175	MNT RH-RADIATOR SW/A PNTD	1
29	400036	SCR-HEX 5/16-18X0.75 ZP	6
30	307176	MNT LH-RADIATOR SW/A PNTD	1
31	400088	WASHER-FLAT 5/16 STANDARD ZP	6
32	400029	SCR-HEX 3/8-16X1.25 ZP	9



ENGINE (FORD SERVICE PARTS) GROUP

REF#	PART #	DESCRIPTION
	340016	FORD - ADAPTER
	340200	FORD - ADAPTER CARB SIDE DRAFT
	340181	FORD - ADAPTER FUEL PUMP
	340190	FORD - ADAPTER VAC LINE
	340211	FORD - ALTERNATOR 55 AMP
	340219	FORD - ARM ADJUSTING ALTERNATOR
	340066	FORD - ARM TENSIONER
	340071	FORD - ARM VALVE LEFT
	340070	FORD - ARM VALVE RIGHT
	340228	FORD - BELT WATER PUMP & ALTERNATOR
	340160	FORD - BELT WATER PUMP TO ALTERNATOR
	340007	FORD - BLOCK CYLINDER
	340008	FORD - BLOCK CYLINDER ASSEMBLY
	340023	FORD - BOLT CYLINDER HEAD
	340156	FORD - BOLT FAN TO SPACER
	340046	FORD - BOLT FT COV & W/P TO BLK
	340047	FORD - BOLT FT COV TO BLK M6 X 18
	340045	FORD - BOLT FT COV TO BLK M6 X 50
	340220	FORD - BOLT M10 X 25 ENG
	340149	FORD - BOLT M6 X 14 OIL PAN
	340058	FORD - BOLT M6 X 16
	340064	FORD - BOLT M6 X 16 TEN TO BLK
	340169	FORD - BOLT M6 X 40 FT COV TO BLK
	340063	FORD - BOLT M6 X 55 TEN TO BLK
	340202	FORD - BOLT M6 X 95 CARB
	340061	FORD - BOLT M8 X 16
	340112	FORD - BOLT M8 X 20
	340226	FORD - BOLT M8 X 20 ALT
	340163	FORD - BOLT M8 X 20 THER
	340225	FORD - BOLT M8 X 25 ALT
	340178	FORD - BOLT M8 X 25 INTAKE
	340221	FORD - BOLT M8 X 40 ACT TO BRKT
	340222	FORD - BOLT M8 X 50 ALT TO BRKT
	340018	FORD - BOLT MAIN BRG CAP
	340231	FORD - BOLT MNT STARTER
	340159	FORD - BOLT MS X 20 FAN BD
	340134	FORD - BOLT OIL PAN
	340102	FORD - BOLT PULLEY TO CRANK
	340075	FORD - BOLT ROCK SUPPORT
	340120	FORD - BOLT TO RD CONN
	340054	FORD - BRG - CENT & RR STD ID .02 OD
	340053	FORD - BRG CENT & RR STD

ENGINE (FORD SERVICE PARTS) GROUP

REF#	PART #	DESCRIPTION
	340214	FORD - BRG FRT ALTERNATOR
	340051	FORD - BRG FRT STD
	340052	FORD - BRG FT STD ID .020 ID
	340122	FORD - BRG ROD CONN 001
	340123	FORD - BRG ROD CONN 010
	340124	FORD - BRG ROD CONN 020
	340125	FORD - BRG ROD CONN 030
	340121	FORD - BRG ROD CONN STD
	340215	FORD - BRG RR ALTERNATOR
	340218	FORD - BRKT MNT ALTERNATOR
	340217	FORD - BRUSH ALTERNATOR
	340050	FORD - CAMSHAFT
	340038	FORD - CAP OIL FILL
	340174	FORD - CAP WATER OUTLET NIPPLE
	322523	FORD - CARBURETOR - 1.3L DWN DRFT W/ACTUATOR
	322564	FORD - CARBURETOR - LPG DOWNDRAFT FORD
	340196	FORD - CARBURETOR ASSEMBLY
	340049	FORD - CHAIN ASSY TIMING
	340244	FORD - CLAMP FUEL HOSE
	340175	FORD - CLAMP HOSE
	340172	FORD - CLAMP HOSE 1.12
	340206	FORD - CLAMP HOSE 1.12
	340161	FORD - CONNECTOR WATER OUT
	340235	FORD - CONTROL ASSEMBLY IGNITION
	322525	FORD - CONTROLLER - 1.3L GAS ELEC GOV
	322530	FORD - CONTROLLER - 1.3L LP ELEC GOV
	340033	FORD - COVER ROCKER ARM
	340015	FORD - COVER SWITCH
	340082	FORD - CRANKSHAFT ASSEMBLY
	340145	FORD - DIPSTICK OIL LEVEL
	340055	FORD - DOWEL
	340131	FORD - DOWEL CLUTCH
	340024	FORD - DOWEL CYL TO BLOCK
	340126	FORD - DOWEL PIN CONNECTOR ROD
	340230	FORD - DRIVE ASSEMBLY
	340203	FORD - ELBOW 90 DEGREE
	340180	FORD - ELBOW 90 DEGREE 1/8-27
	340154	FORD - FAN 6-BLADE
	340179	FORD - FILTER ASSEMBLY FUEL
	340147	FORD - FILTER OIL
	340129	FORD - FLYWHEEL & CLUTCH ASSEMBLY
	340183	FORD - FUEL PUMP



ENGINE (FORD SERVICE PARTS) GROUP (CONT.)

REF#	PART #	DESCRIPTION
	322527	FORD - GASKET - CARB ADAPTOR TO INT MANIF
	322526	FORD - GASKET - CARB ADAPTOR TO CARB
	340201	FORD - GASKET ADAPTER TO MANIFOLD
	340197	FORD - GASKET CARBURETOR
	340022	FORD - GASKET CYLINDER HEAD
	340004	FORD - GASKET FRONT COVER
	340001	FORD - GASKET FUEL PUMP
	340000	FORD - GASKET KIT ENGINE
	340187	FORD - GASKET MANIFOLD EXHAUST
	340177	FORD - GASKET MANIFOLD INTAKE
	340153	FORD - GASKET OIL PAN PLUG
	340136	FORD - GASKET OIL PP & O BLK
	340005	FORD - GASKET REAR RETAINER
	340034	FORD - GASKET ROCKER ARM COVER
	340166	FORD - GASKET THERMOSTAT
	340162	FORD - GASKET WATER OUT
	340168	FORD - GASKET WATER PUMP
	340140	FORD - GEAR OIL
	340208	FORD - GOVERNOR HOOF
	340243	FORD - HARNESS WIRE ASSEMBLY
	340021	FORD - HEAD ASSEMBLY CYLINDER
	340205	FORD - HOSE ADAPTER TO INTAKE MANIFOLD
	340204	FORD - HOSE ADAPTER TO WATER PUMP
	340171	FORD - HOSE BY-PASS
	340182	FORD - HOSE FUEL 5/16 ID X 18
	340041	FORD - HOSE PCV
	340132	FORD - HOUSING ASSEMBLY
	340233	FORD - IGNITION ASSEMBLY
	340039	FORD - INSERT EX VLV ST
	340040	FORD - INSERT IN VLV ST
	340107	FORD - KEY WOODRUFF
	340207	FORD - KIT CARBURETOR REPAIR
	340192	FORD - KIT INTAKE MANIFOLD PLUG
	340151	FORD - KIT OIL PAN GASKET
	340213	FORD - KIT PULLEY INST
	340167	FORD - KIT WATER PUMP & PULLEY
	340194	FORD - LIFETIME EYE
	340017	FORD - LINER CYLINDER
	340032	FORD - LOCK VLV SPRING
	340089	FORD - MAIN BEARING CRK LOW 005-010
	340090	FORD - MAIN BEARING CRK LOW 015-020
	340084	FORD - MAIN BEARING CRK LOWER 005
	340085	FORD - MAIN BEARING CRK LOWER 010
	340086	FORD - MAIN BEARING CRK LOWER 015

ENGINE (FORD SERVICE PARTS) GROUP (CONT.)

REF#	PART #	DESCRIPTION
	340087	FORD - MAIN BEARING CRK LOWER 020
	340088	FORD - MAIN BEARING CRK LOWER 030
	340083	FORD - MAIN BEARING CRK LOWER STD
	340092	FORD - MAIN BEARING CRK UP 005
	340097	FORD - MAIN BEARING CRK UP 005-010
	340093	FORD - MAIN BEARING CRK UP 010
	340094	FORD - MAIN BEARING CRK UP 015
	340098	FORD - MAIN BEARING CRK UP 015-020
	340095	FORD - MAIN BEARING CRK UP 020
	340096	FORD - MAIN BEARING CRK UP 030
	340091	FORD - MAIN BEARING CRK UP STD
	340186	FORD - MANIFOLD EX DN OUT
	340176	FORD - MANIFOLD INTAKE
	340223	FORD - NUT M8 ALT TO BRACKET
	340198	FORD - NUT M8 CARB TO ADAPTER
	340189	FORD - NUT M8UB5 MAN TO CYL
	340148	FORD - OIL PAN W/ PLUG
	340081	FORD - PIN COTTER 3/32 X 7/8
	340141	FORD - PIN DRIVE GEAR
	340067	FORD - PIN TENSIONER
	340114	FORD - PISTON PIN RING ASSEMBLY 020
	340115	FORD - PISTON PIN RING ASSEMBLY 040
	340113	FORD - PISTON PIN RING ASSEMBLY STD
	340056	FORD - PLATE THRUST
	340012	FORD - PLUG 1/4 NPT
	340010	FORD - PLUG 51MM (2.01)
	340013	FORD - PLUG BALL OIL 11MM
	340009	FORD - PLUG EX 1.639 DIA
	340173	FORD - PLUG FAN MOT STCH
	340193	FORD - PLUG MAN
	340152	FORD - PLUG OIL DRAIN
	340144	FORD - PLUG OIL PUMP
	340078	FORD - PLUG SHAFT END
	340142	FORD - PLUNGER OIL
	340011	FORD - PLUG 1/4 NPT
	340212	FORD - PULLEY
	340101	FORD - PULLEY CRK 2-GROOVE
	340158	FORD - PULLEY WATER PUMP
	340133	FORD - PUMP OIL GEAR
	340109	FORD - REAR RETAINER ASSEMBLY
	340216	FORD - REGULATOR ASSEMBLY ALTERNATOR
	340031	FORD - RETAINER
	340057	FORD - RETAINER CAMSHAFT

ENGINE (FORD SERVICE PARTS) GROUP (CONT.)

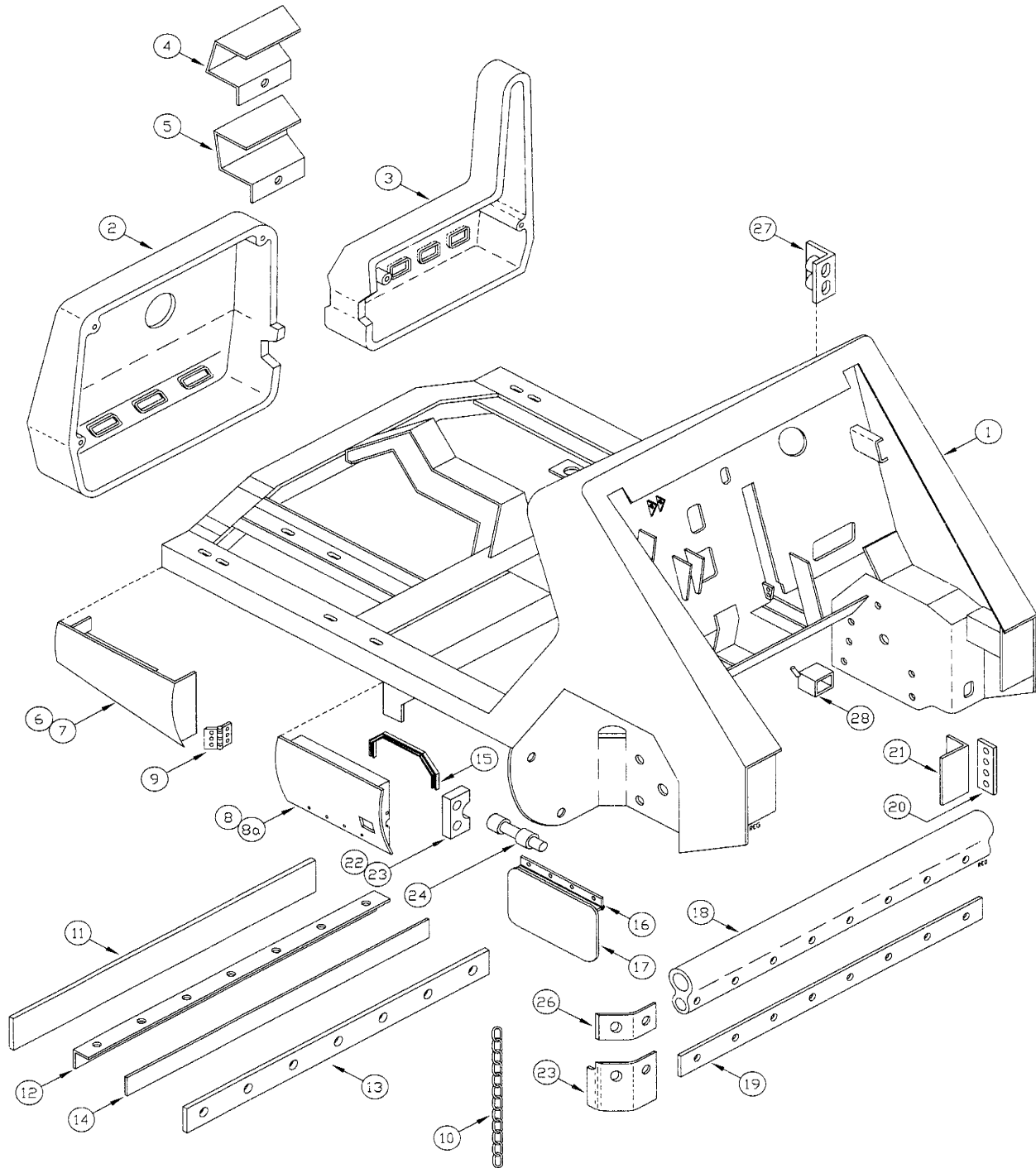
REF#	PART #	DESCRIPTION
	340060	FORD - RETAINER SPROCKET
	340130	FORD - RING GEAR FLW 135TH
	340117	FORD - RING SET PISTON 020
	340118	FORD - RING SET PISTON 040
	340116	FORD - RING SET PISTON STD
	340119	FORD - ROD ASSEMBLY CONNECTOR
	340069	FORD - ROD VLV PUSH
	340138	FORD - ROTOR & SHAFT
	340195	FORD - SCREW & WASHER
	340185	FORD - SCREW & WASHER M8 X 30
	340020	FORD - SCREW M6 X 14
	340234	FORD - SCREW M8 X 14 IG
	340035	FORD - SCREW ROCKER COV HEAD
	340072	FORD - SCREW VLV ARM
	340042	FORD - SEAL ASSEMBLY CYLINDER FRONT
	340139	FORD - SEAL COVER PLATE OIL
	340110	FORD - SEAL CRANKSHAFT REAR
	340043	FORD - SEAL FRONT COVER
	340104	FORD - SEAL FRONT COVER
	340030	FORD - SEAL VLV STEM
	340240	FORD - SEPARATOR IGNITION WIRE
	340241	FORD - SEPARATOR IGNITION WIRE
	340077	FORD - SHAFT ASSEMBLY
	340105	FORD - SLINGER OIL
	340157	FORD - SPACER FAN
	340210	FORD - SPACER FOX GOVERNOR
	340242	FORD - SPARK PLUG
	340076	FORD - SPRING LOCATING
	340143	FORD - SPRING OIL
	340029	FORD - SPRING VALVE
	340059	FORD - SPROCKET CAMSHAFT
	340106	FORD - SPROCKET CRANKSHAFT
	340229	FORD - STARTER MOTOR
	340155	FORD - STRAP FAN
	340188	FORD - STUD M8 X 27.5 MAN TO CYL
	340199	FORD - STUD M8 X29.5 CARB TO ADP
	340073	FORD - SUPPORT ARM SHAFT
	340014	FORD - SWITCH OIL PRESSURE
	340068	FORD - TAPPET STD
	340062	FORD - TENSIONER
	340165	FORD - THERMOSTAT ASSEMBLY 160 DEGREE
	340019	FORD - TRANSDUCER IGNITION



ENGINE (FORD SERVICE PARTS) GROUP (CONT.)

REF#	PART #	DESCRIPTION
	340137	FORD - TUBE ASSEMBLY OIL PUMP
	340146	FORD - TUBE OIL LEVEL DIPSTICK
	340028	FORD - VALVE EXHAUST .40MM
	340027	FORD - VALVE EXHAUST STD
	340026	FORD - VALVE INTAKE .40MM
	340025	FORD - VALVE INTAKE STD
	340065	FORD - WASHER 1/4 LOCK
	340074	FORD - WASHER B10 X 20 X 2.5
	340036	FORD - WASHER FLAT 6MM
	340080	FORD - WASHER FLAT TYPE
	340048	FORD - WASHER LOCK M6
	340170	FORD - WASHER M6 LOCK THER
	340224	FORD - WASHER M8 FLT ALT TO BRK
	340111	FORD - WASHER M8 LK
	340227	FORD - WASHER M8 LK ACT
	340135	FORD - WASHER M8 LOCK
	340164	FORD - WASHER M8 LOCK THER
	340100	FORD - WASHER MAIN BRG 015
	340099	FORD - WASHER MAIN BRG STD
	340103	FORD - WASHER PULLEY TO CRANKSHAFT
	340079	FORD - WASHER SPRING
	340236	FORD - WIRE ASSEMBLY SPARK PLUG #1
	340237	FORD - WIRE ASSEMBLY SPARK PLUG #2
	340238	FORD - WIRE ASSEMBLY SPARK PLUG #3
	340239	FORD - WIRE ASSEMBLY SPARK PLUG #4

FRAME GROUP

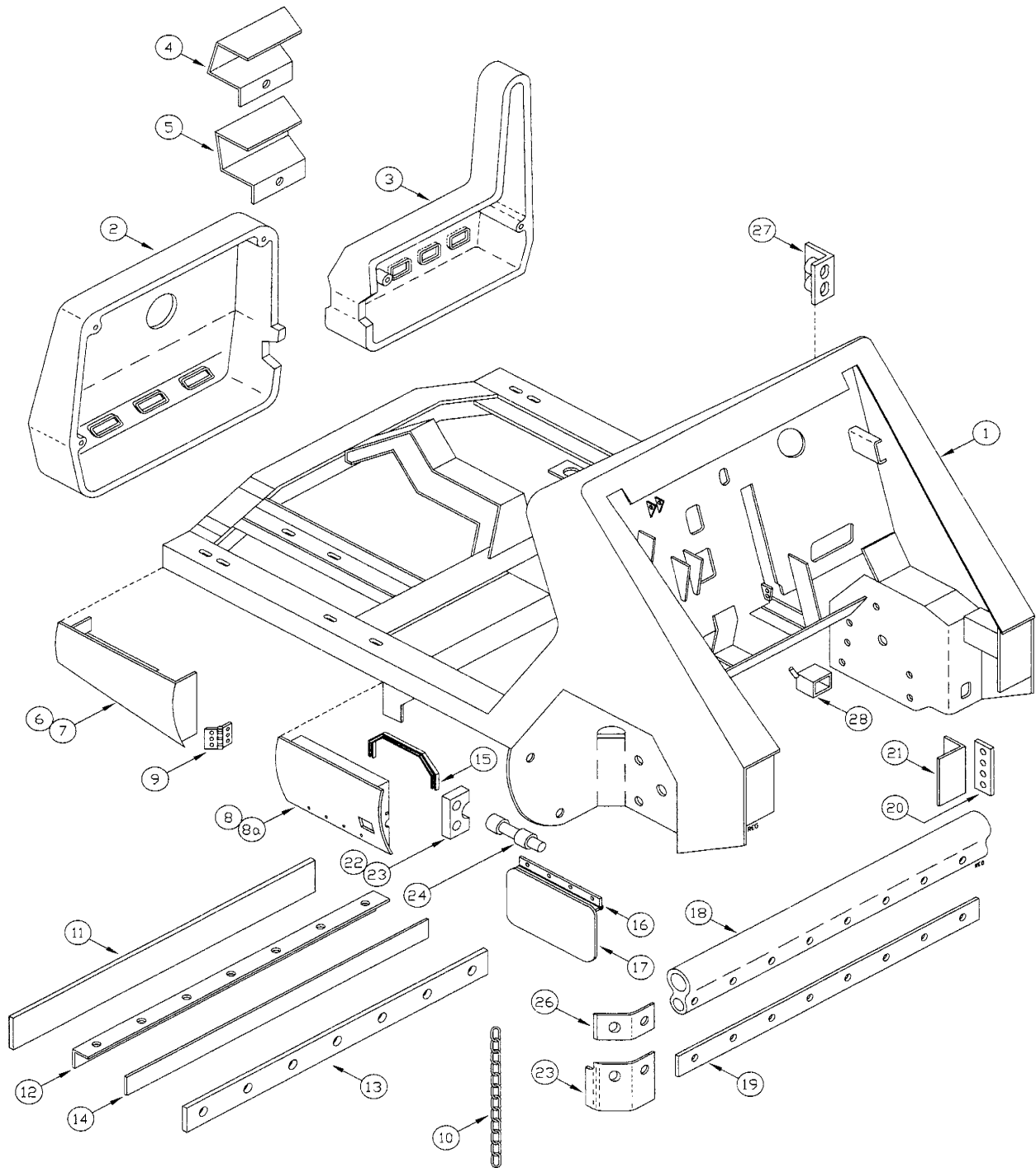


020PH001

FRAME GROUP

REF#	PART #	DESCRIPTION	QUANTITY
1	307150	FRAME ASSEMBLY SW/A	1
	307594	DECAL - FRONT PANEL SW/A	1
2	307320	COUNTERWEIGHT- RH MACHINED PNTD	1
	400442	STUD - THREADED 1/2-13 X 2.0	4
	400086	WASHER - FLAT 1/2 STANDARD ZP	18
	400098	WASHER - LOCK 1/2 SPLIT ZP	4
	400065	NUT - HEX 1/2-13 ZP	4
3	307321	COUNTERWEIGHT - LH MACHINED PNTD	1
	400443	STUD - THREADED 1/2-13 X 2.0	2
	400086	WASHER - FLAT 1/2 STANDARD ZP	2
	400098	WASHER - LOCK 1/2 SPLIT ZP	2
	400065	NUT - HEX 1/2-13 ZP	2
	400023	SCR - HHM 1/2-13 X 1.00 LG ZP	1
	400086	WASHER - FLAT 1/2 STANDARD ZP	1
	400098	WASHER - LOCK 1/2 SPLIT ZP	1
	400065	NUT - HEX 1/2-13 ZP	1
4	307809	ASSY - UPPER CASTING COVER PNTD	1
	400035	SCR - HHM 5/16-18 X 1.00 LG ZP	1
	400088	WASHER - FLAT 5/16 STANDARD ZP	2
	400384	WASHER - CONICAL SPRING 5/16	1
	400390	NUT - FLANGE LOCK 5/16-18	1
5	307810	ASSY - LOWER CASTING COVER PNTD	1
	307831	BACKING - CASTING COVER PNTD	1
	400101	WASHER - LOCK 3/8 SPLIT ZP	1
	400068	NUT - HEX 3/8-16 ZP	1
	305774	ASSY - HD REAR TIE DOWN PNTD	1
	400030	SCR - HHM 3/8-16 X 1.00 LG ZP	2
	400385	WASHER - CONICAL SPRING 3/8	2
	400392	NUT - FLANGE LOCK 3/8-16	2
6	307519	ASSY - RH REAR SIDE SKIRT	1
	400036	SCR - HHM 5/16-18 X .75 LG ZP	8
	400384	WASHER - CONICAL SPRING 5/16	8
	400390	NUT - FLANGE LOCK 5/16-18	8
7	307520	ASSY - LH REAR SIDE SKIRT	1
	400036	SCR - HHM 5/16-18 X .75 LG ZP	8
	400384	WASHER - CONICAL SPRING 5/16	8
	400390	NUT - FLANGE LOCK 5/16-18	8
8	307025	ASSY - BROOM DOOR RH SUB ARMA	1
	contains >	STRAP - BROOM DOOR FLAP PNTD SW/A	2
		FLAP - BROOM DOOR SW/A	2
		LATCH - RH BROOM DOOR SW/A	1
		ASSY - RH BROOM DOOR PNTD SW/A	1
		SCREW - HHM 1/4-20 X .75 LG ZP	4

FRAME GROUP (CONT.)

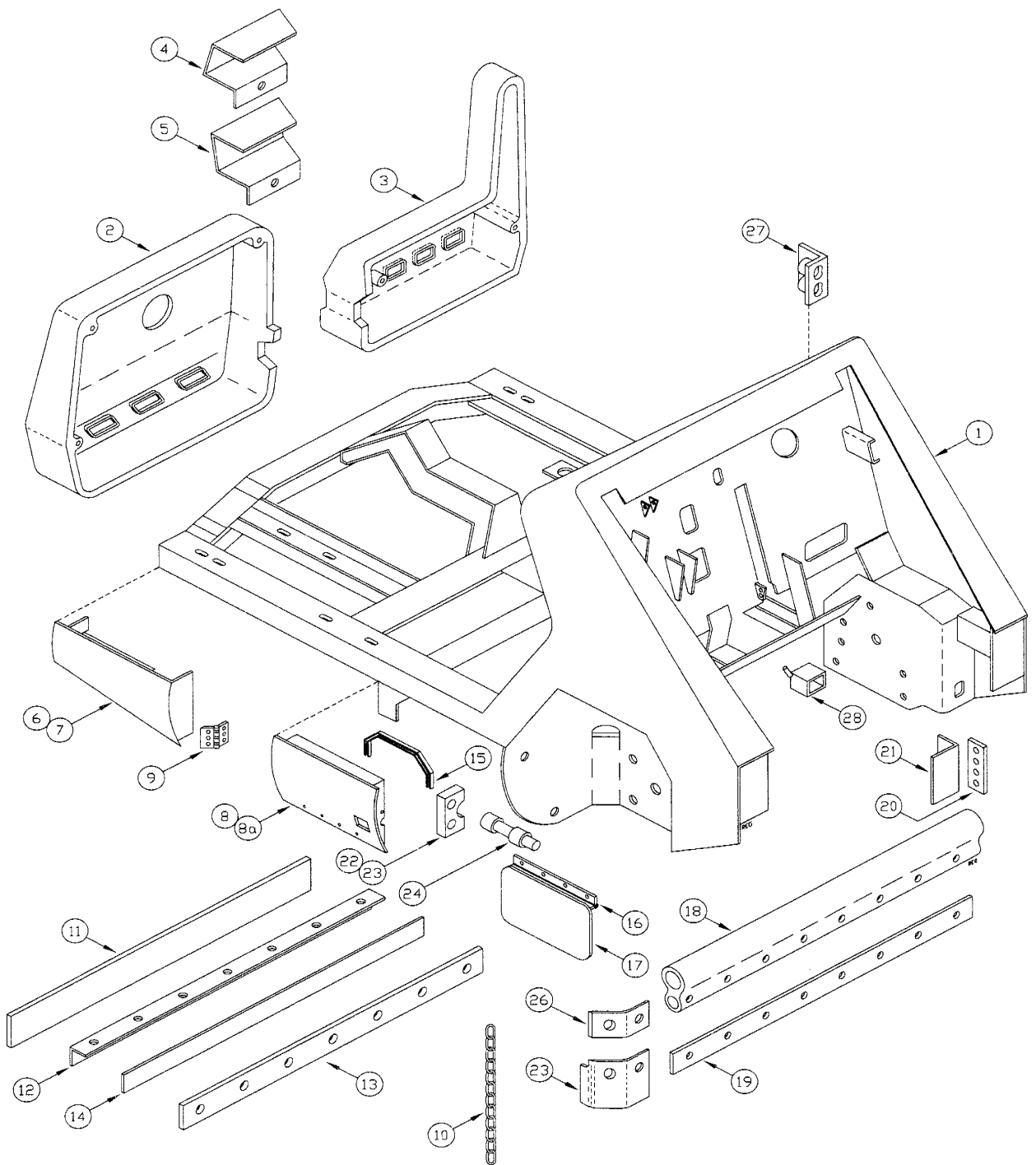


020PH001

FRAME GROUP (CONT.)

REF#	PART #	DESCRIPTION	QUANTITY
		SCREW - THM 1/4-20 X .75 LG SS	4
		NUT - FLANGE LOCK 1/4-20 ZP	4
		WASHER - LOCK 1/4 SPLIT ZP	4
	400036	SCR - HHM 5/16-18 X .75 LG ZP	3
	400384	WASHER - CONICAL SPRING 5/16	3
8A	307024	ASSY - BROOM DOOR LH SUB ARMA	1
	contains >	STRAP - BROOM DOOR FLAP PNTD SW/A	2
		FLAP - BROOM DOOR SW/A	2
		LATCH - LH BROOM DOOR SW/A	1
		ASSY - LH BROOM DOOR PNTD SW/A	1
		SCREW - HHM 1/4-20 X .75 LG ZP	4
		SCREW - THM 1/4-20 X .75 LG SS	4
		NUT - FLANGE LOCK 1/4-20 ZP	4
		WASHER - LOCK 1/4 SPLIT ZP	4
	400036	SCR - HHM 5/16-18 X .75 LG ZP	3
	400384	WASHER - CONICAL SPRING 5/16	3
9	307275	HINGE - BROOM DOOR	2
	400056	SCR - THM 5/16-18 X 1.00 LG ZP	3 ea.
	400390	NUT - FLANGE LOCK 5/16-18	3 ea.
10	307658	CHAIN - GROUNDING ARMA	1
	400227	SCR - HHM 1/4-20 X 1.25 ZP	1
	400089	WASHER - FLAT 1/4 STANDARD ZP	2
	400103	WASHER - LOCK 1/4 SPLIT ZP	1
	400071	NUT - HEX 1/4-20 ZP	1
11	307278	FLAP - REAR SW/A OUTER	1
12	307282	ANGLE - REAR FLAP SW/A	1
	400041	SCR - HHM 1/4-20 X .88 LG ZP	10
	400383	WASHER - CONICAL SPRING 1/4	10
	400063	NUT - FLANGE LOCK 1/4-20 ZP	10
13	307283	STRAP - REAR FEED FLAP	1
14	307279	FLAP - REAR FEED SW/A INNER	1
	400041	SCR - HHM 1/4-20 X .88 LG ZP	11
	400383	WASHER - CONICAL SPRING 1/4	11
	400063	NUT - FLANGE LOCK 1/4-20 ZP	11
15	307659	GASKET - MAIN BROOM DOOR LH & RH	2
	Free Stock	GASKET - MAIN BROOM DOOR SMALL	2
16	307284	STRAP - BROOM DOOR FLAP	2
17	307280	FLAP - BROOM DOOR SW/A	2
18	307276	SEAL - HOPPER/FRAME SW/A	1
19	307281	STRAP - SEAL HOPPER/FRAME SW/A	1
	400059	SCR - THM 1/4-20 X .75 LG SS	8

FRAME GROUP (CONT.)

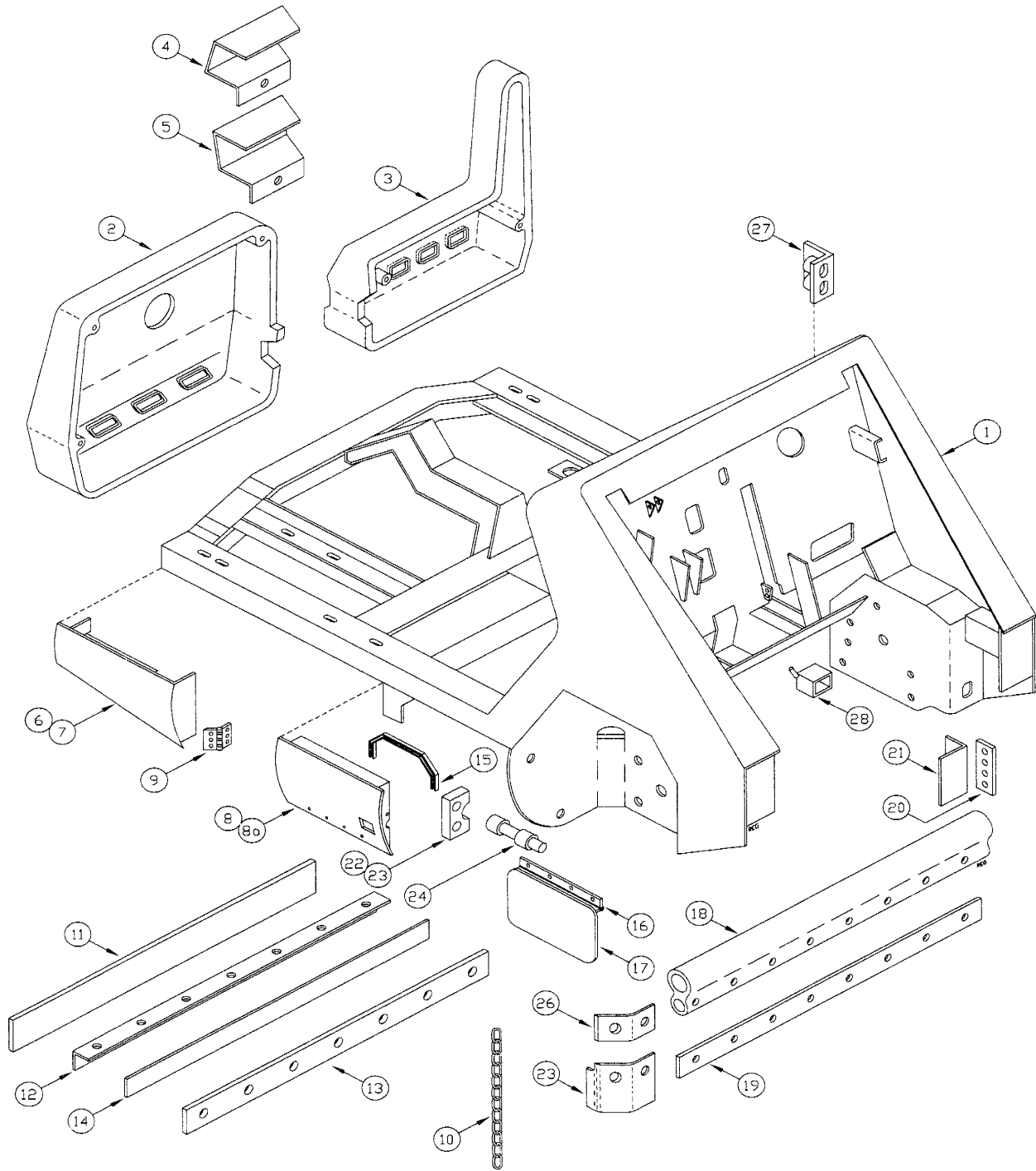


020PH001

FRAME GROUP (CONT.)

REF#	PART #	DESCRIPTION	QUANTITY
	400063	NUT - FLANGE LOCK 1/4-20 ZP	8
20	307285	STRAP - SEAL HOPPER/FRAME SIDE SW/A	2
21	307277	SEAL - HOPPER/FRAME SIDE SW/A	2
	400259	SCR - FHM 5/16-18 X .50 LG ZP	6
	400006	SCR - BHC 5/8-11 X 1.00	6
22	307246	LATCH - BROOM DOOR LH	1
23	307247	LATCH - BROOM DOOR RH	1
24	307248	BOLT - STRIKER BROOM DOOR	2
	400394	NUT - FLANGE LOCK 7/16-14	2
	307286	FLAP - BROOM CORNER	2
26	307287	STRAP - BROOM CORNER FLAP	2
	400056	SCR - THM 5/16-18 X 1.00 LG ZP	4
	400390	NUT - FLANGE LOCK 5/16-18	4
	307515	STOP - SIDE DOOR	2
	400042	SCR - HHM 1/4-20 X .75 LG ZP	3
	400383	WASHER - CONICAL SPRING 1/4	3
	400063	NUT - FLANGE LOCK 1/4-20 ZP	3
	307518	MOUNT - BROOM DOOR FLAP	4
	307628	COOLER - HYDRAULIC OIL	1
27	307529	ASSY - DOOR STRIKE SW/A PNTD	2
	400405	SCR - HHM 1/2-13 X 3.00 ZP	2
	400262	SCR - HHM 3/8-24 X 1.25 ZP	2
	400086	WASHER - FLAT 1/2 STANDARD ZP	4
	400098	WASHER - LOCK 1/2 SPLIT ZP	2
	400065	NUT - HEX 1/2-13 ZP	2
	400067	NUT - HEX 3/8-24 ZP	2
	307510	ASSY - SIDE DOOR SW/A PNTD	1
	307513	HINGE - SIDE DOOR SW/A PNTD	2
	307560	SPACER - SIDE DOOR SW/A PNTD	1
	400148	SCR - THM 5/16-18 X .50 ZP	8
	400391	NUT - FLANGE LOCK 5/16-24	8
	300380	LATCH ASSY. #C2-10-301-50	1
28	307564	ASSY - BATTERY BOX SW/A PNTD	1
	400036	SCR - HHM 5/16-18 X .75 LG ZP	2
	400384	WASHER - CONICAL SPRING 5/16	2
	400390	NUT - FLANGE LOCK 5/16-18	2
	307610	SWITCH - IGNITION	1
	307099	KEY - IGNITION SWITCH ARMA	1
	300441	SWITCH - MOMENTARY STARTER	1
	309350	TERMINAL - SPADE MALE IGNITION	2
	307639	LEVELER - 5/16-18 SW/A	2
	400390	NUT - FLANGE LOCK 5/16-18	4

FRAME GROUP (CONT.)

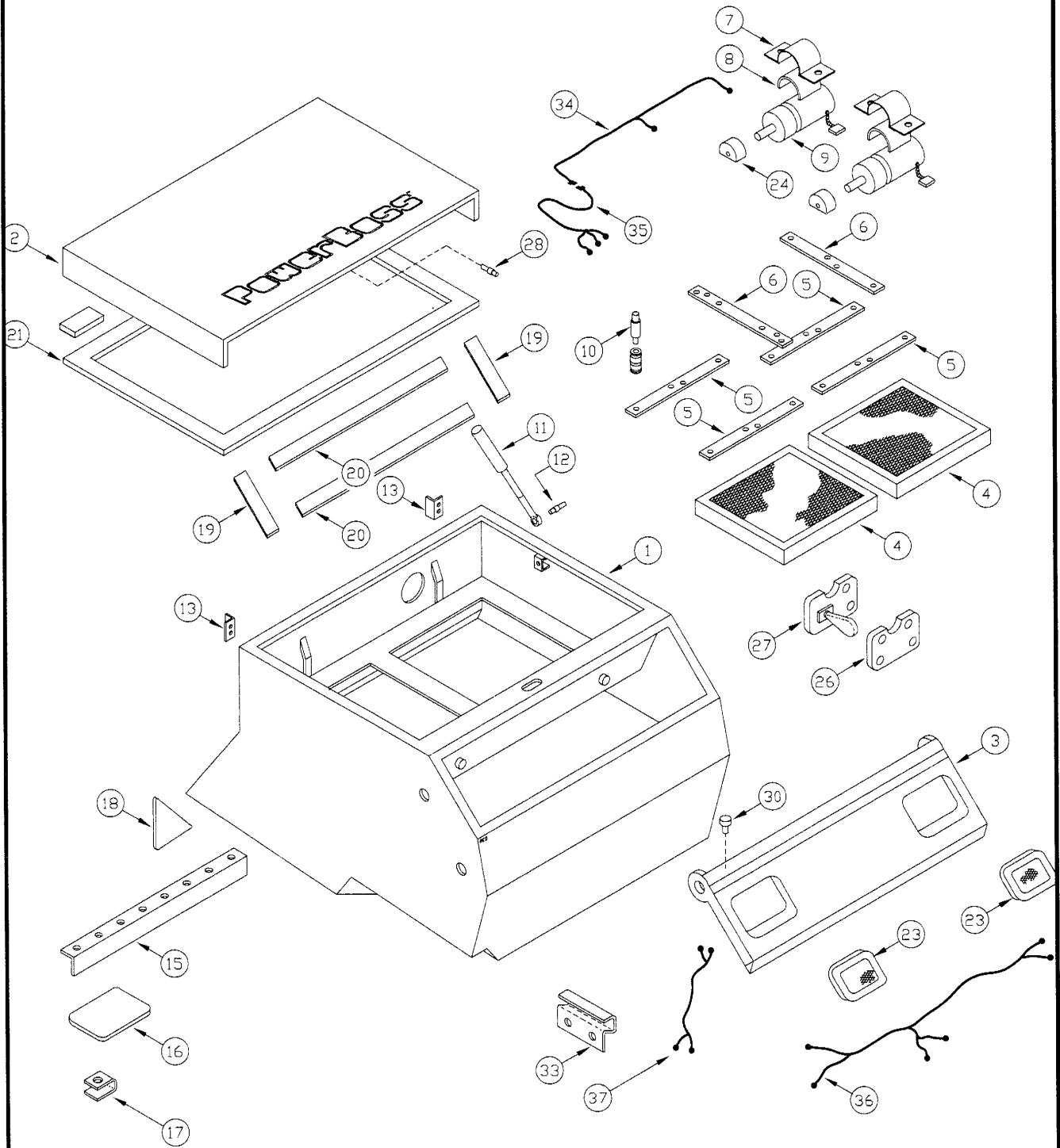


020PH001

**FRAME GROUP (CONT.)**

REF#	PART #	DESCRIPTION	QUANTITY
	307835	COUNTERWEIGHT - RH MACHND PNTD LP	1
	307930	PIN - LPG TANK PLTD	1
	307821	STRAP - BATTERY SW/A	1
	300440	BATTERY - WET GAS	1
	305643	BATTERY - DRY CHARGED GAS	1
	300448	BATTERY - WET DIESEL	1
	307634	CABLE - GROUND (NEGATIVE) GAS	1
	307634	CABLE - GROUND (NEGATIVE) DIESEL	1
	307633	CABLE - POSITIVE GAS	1
	307939	CABLE - POSITIVE KBA DSL	1
	307799	ASSY - CORNER GUARD SW/A	1
	400102	WASHER - LOCK 5/16 SPLIT ZP	2
	400070	NUT - HEX 5/16-18 ZP	4
	310090	FUSE PANEL - 6 POSITION ARMA	1
	400484	RIVET - AVDEL 3/16 X .602	3

HOPPER/TANK GROUP

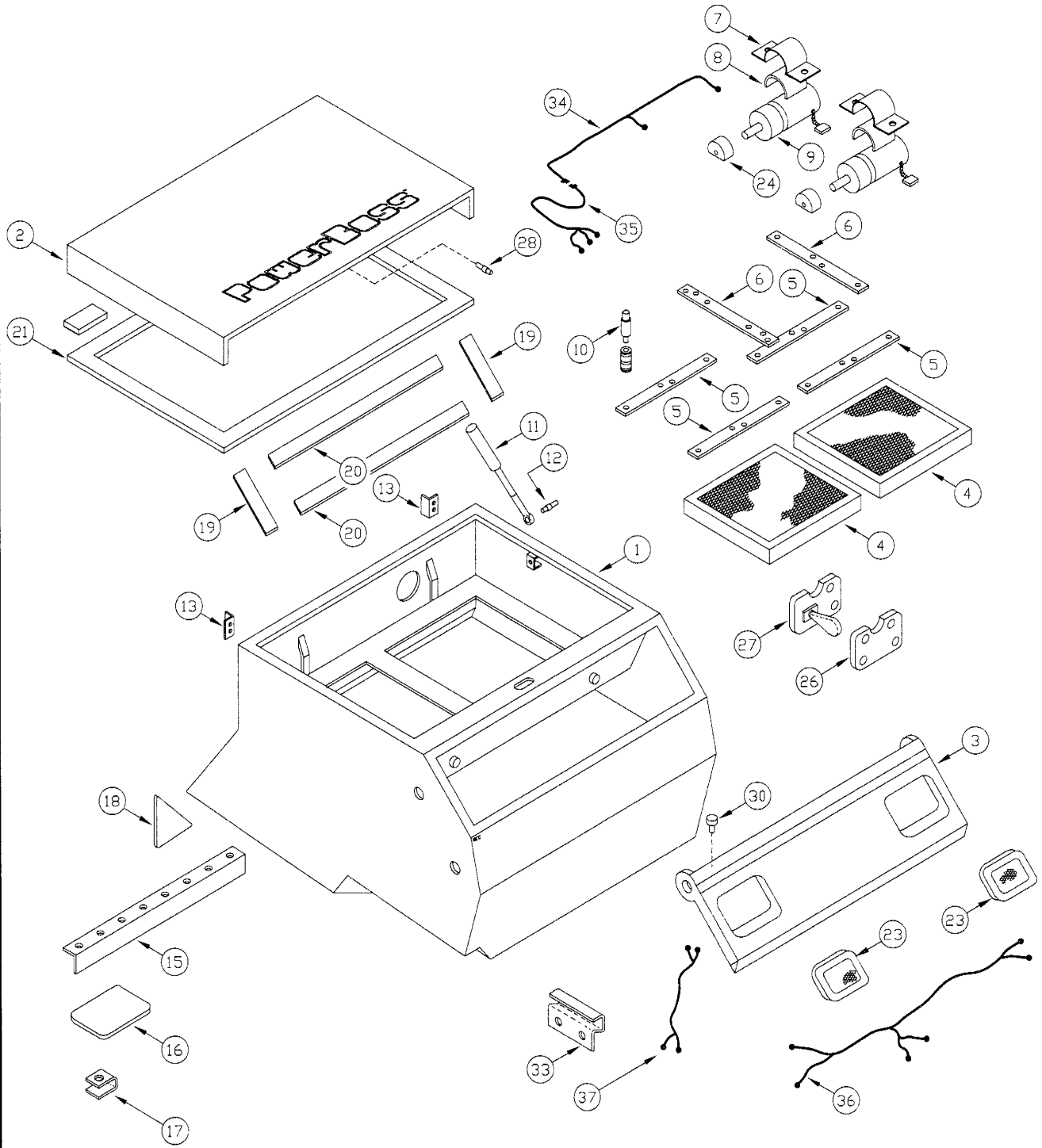


120PH001

HOPPER/TANK GROUP

REF#	PART #	DESCRIPTION	QUANTITY
	307032	ASSY - HOPPER SUB ARMA	1
1	307440	ASSY - HOPPER ARMA PNTD	1
2	307460	ASSY - HOPPER HOOD ARMA PNTD	1
3	307530	ASSY - HOPPER LID ARMA PNTD	1
4	307432	FILTER - DUST CONTROL SW/A	2
5	300919	BAR - FILTER RET FS PNTD	4
6	300917	MOUNT - FILTER SHAKER PNTD	2
7	300915	RETAINER - SHAKER MOTOR PNTD	2
8	300904	MOUNT - NEOPRENE SHAKER MTR	2
9	300424	MOTOR - SHAKER FILTER	2
10	400215	SCREW - HEX 5/16-18 X 4.0 ZP	8
11	305006	SPRING - GAS SW75E	2
12	300376	STUD - BALL GAS SPRING	4
13	307469	HINGE - FILTER COVER PNTD SW/A	2
15	307721	RETAINER - HOPPER FLAP SW/A PNTD	1
16	307720	FLAP - HOPPER FRONT SW/A	5
17	301146	CLIPNUT - 1/4-20 ZP	10
18	307842	FLAP - HOPPER SIDE SW/A	2
	307843	RETAINER - FLAP HOPPER SIDE PLTD	2
21	307724	SEAL - HOPPER HOOD ARMA	1
23	301359	HEADLIGHT - FLUSH MOUNT TYPE C	2
24	301053	WEIGHT ECCENTRIC PNTD	2
26	307468	BAR - FILTER LATCH PNTD SW/A	1
27	307247	LATCH - RH - BROOM DOOR SW/A	1
28	307248	BOLT - STRIKER BRM DOOR LATCH	1
	302236	PLUG - 17/32 DIA CRS PNTD	1
34	302033	WIRING HARNESS - HD GROUP	1
35	307752	WIRE HARNESS - HOPPER/SHAKER EXT	1
36	301367	WIRING HARNESS - HEADLIGHT LD	1
37	307744	WIRING HARNESS - HOPPER LID SW/A	1
	304624	BUMPER - RUBBER CAP	12
	306424	CLIPNUT - 5/16-18 FULLBODY	8
	307722	GASKET - HOPPER LID SHORT	2
	301665	GROMMET - Z-2056	2
	307850	ISOLATOR - HOPPER FILTER SW/A	8
	302776	MOUNT - WIRE TIE LARGE	5
	400063	NUT - FLANGE LOCK 1/4-20 ZP	3

HOPPER/TANK GROUP (CONT.)

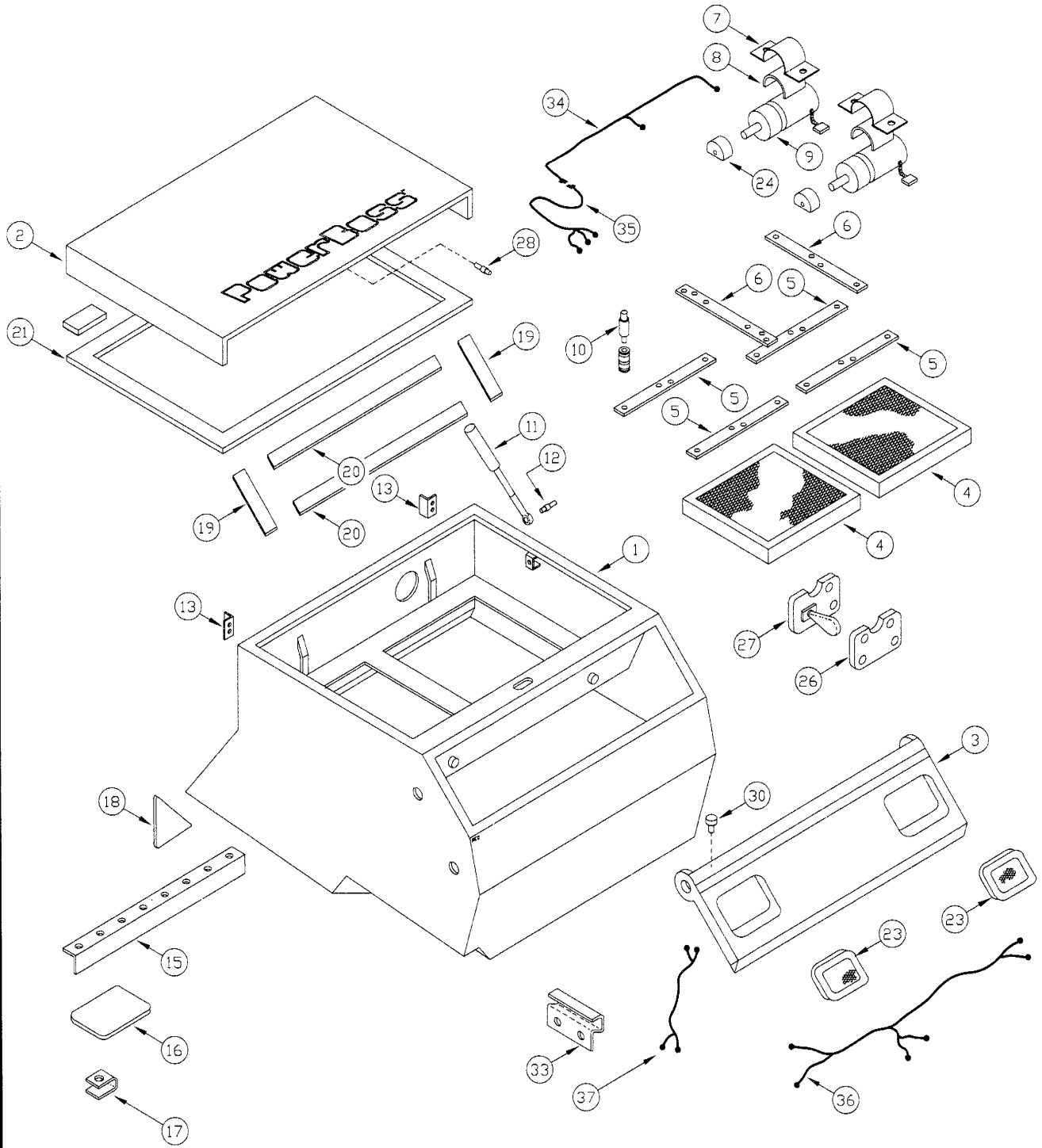


120PH001

HOPPER/TANK GROUP (CONT.)

REF#	PART #	DESCRIPTION	QUANTITY
	400392	NUT - FLANGE LOCK 3/8-16	2
	400390	NUT - FLANGE LOCK 5/16-18	18
	400394	NUT - FLANGE LOCK 7/16-14	1
	400071	NUT - HEX 1/4-20 ZP	4
	400068	NUT - HEX 3/8-16 ZP	2
	400080	NUT - HEX 5/16-18 ES ZP	2
	400070	NUT - HEX 5/16-18 ZP	2
	400329	SCREW - FLAT 5/16-18 X .75 SLT ZP	12
	400044	SCREW - HEX #10-32 X .75 ZP	8
	400043	SCREW - HEX 1/4-20 X .5 ZP	3
	400036	SCREW - HEX 5/16-18 X .75 ZP	4
	400035	SCREW - HEX 5/16-18 X 1.0 ZP	4
	400355	SCREW - LEVEL BOLT 3/8-16 X 2.5 ZP	2
	400055	SCREW - SET #10-24 X .31 ZP	2
	400059	SCREW - THM 1/4-20 X .75 SS	18
	301358	TIE - WIRE	5
	400385	WASHER - CONICAL SPRING 3/8	16
	400384	WASHER - CONICAL SPRING 5/16	6
	400086	WASHER - FLAT 1/2 STANDARD ZP	2
	400102	WASHER - LOCK 5/16 SPLIT ZP	6
	400103	WASHER - LOCK 1/4 SPLIT ZP	4
	301155	CLIPNUT - 5/16-18 XP	8
	307743	BACKING PLATE - HOPPER PNTD	2
	400068	NUT - HEX 3/8-16 ZP	8
	4000-0032	SCREW - FHM 3/8-16 X 1.0	4
	400030	SCREW - HHM 3/8-16 X 1.00 LG ZP	2
	400087	WASHER - FLAT 3/8 STANDARD ZP	4
	400101	WASHER - LOCK 3/8 SPLIT ZP	6
	307098	ASSY - HOPPER LID SUB ARMA	1
	301358	TIE - WIRE	2
	301359	HEADLIGHT - FLUSH MOUNT TYPE C	2
	301367	WIRING HARNESS - HEADLIGHT LD	1
	301665	GROMMET - Z-2056	1
	302776	MOUNT - WIRE TIE LARGE	2
	307530	ASSY - HOPPER LID ARMA PNTD	1
19	307722	GASKET - HOPPER LID SHORT	2
20	307723	GASKET - HOPPER LID LONG ARMA	2

HOPPER/TANK GROUP (CONT.)

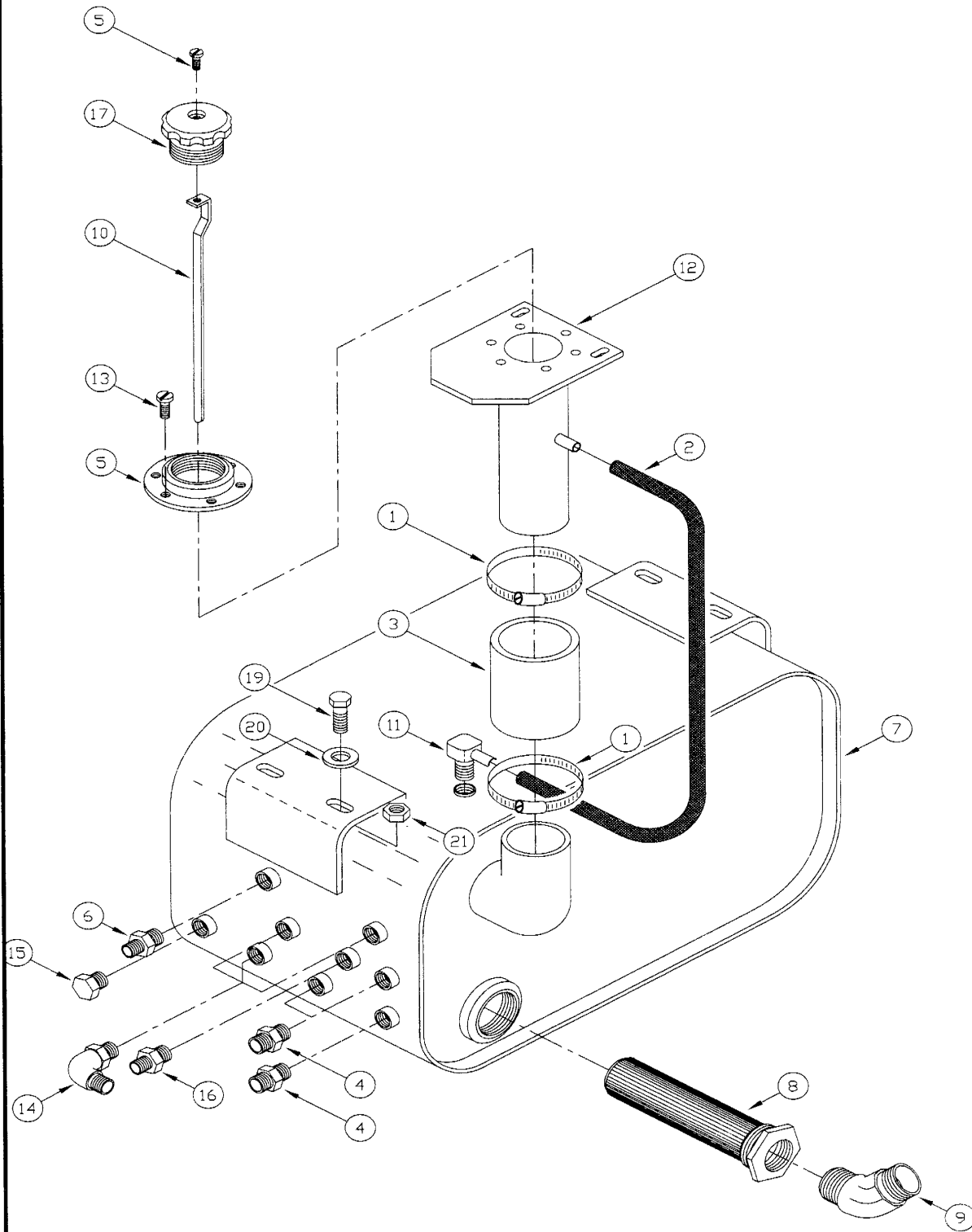


120PH001

HOPPER/TANK GROUP (CONT.)

REF#	PART #	DESCRIPTION	QUANTITY
	307744	WIRING HARNESS - HOPPER LID SW/A	1
	400044	SCREW - HEX #10-32 X .75 ZP	8
	400047	SCREW - SHC 5/16-18 X .75 LG ZP	2
	400088	WASHER - FLAT 5/16 STANDARD ZP	6
	400390	NUT - FLANGE LOCK 5/16-18	2
30	301665	GROMMET - Z-2056	2
33	307745	GUARD - WIRE HOPPER SW/A PNTD	1
	400207	SCREW - HHM 5/16-18 X .50 ZP	2
	400390	NUT - FLANGE LOCK 5/16-18	2
FRONT BUMPER ASSEMBLY:			
	307732	ANGLE - BUMPER ADJ SW/A PNTD	2
	400029	SCR - HHM 3/8-16 X 1.25 LG ZP	4
	400385	WASHER - CONICAL SPRING 3/8	4
	400392	NUT - FLANGE LOCK 3/8-16	4
	307540	ASSY - FRONT BUMPER SW/A PNTD	1
	300338	BUMPER - RUBBER	4
	307818	SPACER - SHOCK DISK PLTD	12
	400028	SCR - HHM 3/8-16 X 1.50 LG ZP	4
	400087	WASHER - FLAT 3/8 STANDARD ZP	4
	400079	NUT - HEX 3/8-16 ES ZP	4
	400029	SCR - HHM 3/8-16 X 1.25 LG ZP	4
	400385	WASHER - CONICAL SPRING 3/8	4
	400392	NUT - FLANGE LOCK 3/8-16	4

HYDRAULIC GROUP - HYDRAULIC RESERVOIR

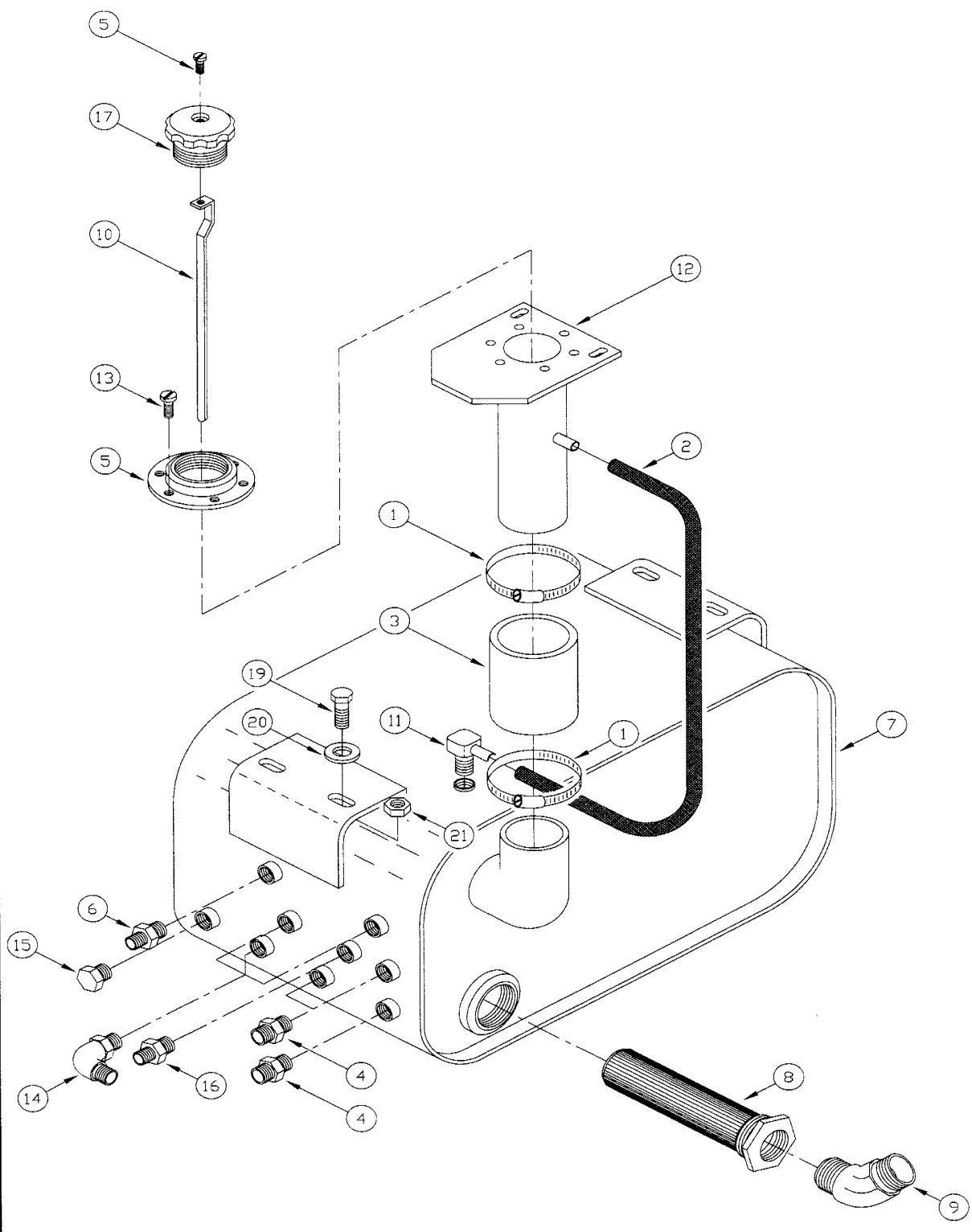


080PH002

HYDRAULIC GROUP - HYDRAULIC RESERVOIR

REF#	PART #	DESCRIPTION	QUANTITY
	307031	ASSY - HYD RES SUB ARMA	1
1	300336	CLAMP - HOSE 2 1/2 NOM SS	2
2	302703	HOSE - VACUUM LINE	1
3	303577	HOSE - INTAKE MANIFOLD LP	1
4	304899	FTG - ADAP 3/4-16 TO 1/2 OD TUBE	3
5	305576	ASSY - FILTER/BREATHER FLOW EZY	1
6	306875	FTG - ADAPTOR 1/2-20 TO 5/16 OD	3
7	307572	RESERVOIR - HYDRAULIC SW/A	1
8	307573	STRAINER - HYDRAULIC TM-15	1
9	307574	FTG - 45 1" MPT TO #16 JIC	1
10	307580	DIPSTICK - HYD RESERVOIR SW/A	1
11	307778	FTG - 90 EL 1/8 MPT X 1/4 HOSE BA	1
12	310072	ASSY - HYD FILL TUBE ARMAS PNTD	1
13	400044	SCREW - HEX #10-32 X .75 ZP	6
14	400152	FTG - 90 1/2-20 TO #5	1
15	400164	FTG - PLUG 3/4-16 O-RING	1
16	400264	FTG - MALE CONNECTOR 9/16 TO #4	1
17	400315	SCREW - HEX #10-32 X .5 ZP	1
	400399	NUT - HEX NYLON LOCK #10-24 SS	7
19	400035	SCREW - HEX 5/16-18 X 1.0 ZP	4
20	400384	WASHER - CONICAL SPRING 5/16	4
21	400390	NUT - FLANGE LOCK 5/16-18	4
	400042	SCR - HHM 1/4-20 X .75 LG ZP	2
	400383	WASHER - CONICAL SPRING 1/4	2
	400063	NUT - FLANGE LOCK 1/4-20 ZP	2
	307078	ASSY - HYDRAULIC FILTER SUB ARMA	1
	300358	ASSY - HYDRAULIC FILTER (housing, filter & O-ring)	1
	304899	FTG - ADAP 3/4-16 TO 1/2 OD TUBE	1
	400163	FTG - TEE OFFSET 3/4-16 TO #8	1
	400167	FTG - ADAPTER 1 1/6-12 EXT TO	2
	400244	FTG - SWIVEL 90 EL #8 JIC	1
	300359	FILTER - HYD 10 MICRON (SP) (filter & O-ring)	1
	400030	SCR - HHM 3/8-16 X 1.00 LG ZP	2
	400101	WASHER - LOCK 3/8 SPLIT ZP	2
	307746	CLAMP - HOSE RADIATOR PLTD	1
	400041	SCR - HHM 1/4-20 X .88 LG ZP	1

HYDRAULIC GROUP - HYDRAULIC RESERVOIR (CONT.)

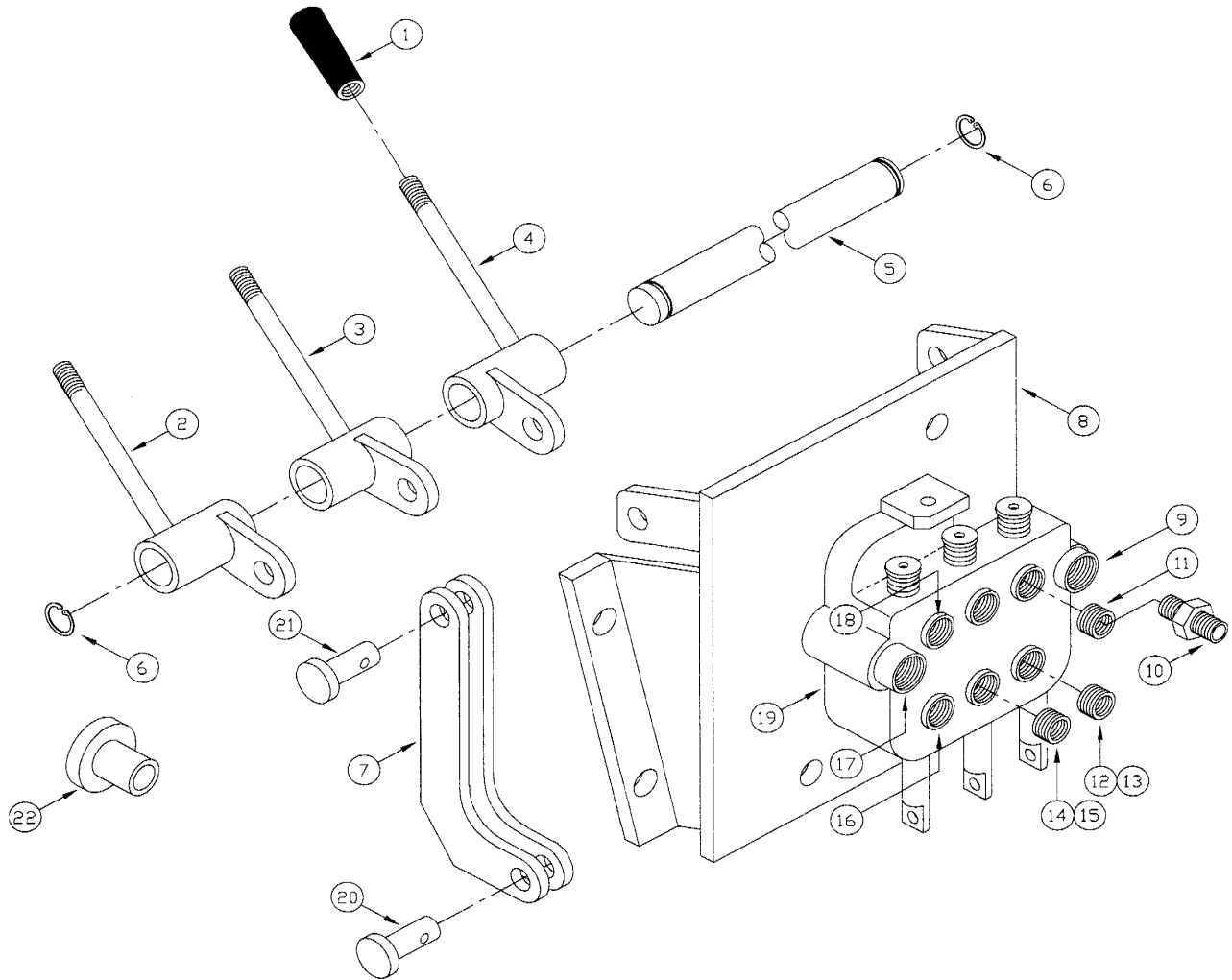


080PH002

**HYDRAULIC GROUP - HYDRAULIC RESERVOIR (CONT.)**

REF#	PART #	DESCRIPTION	QUANTITY
	400383	WASHER - CONICAL SPRING 1/4	1
	400063	NUT - FLANGE LOCK 1/4-20 ZP	1
	307793	CLAMP - HOSE SW/A PLTD	1
	400036	SCR - HHM 5/16-18 X .75 LG ZP	1
	400384	WASHER - CONICAL SPRING 5/16	1
	400390	NUT - FLANGE LOCK 5/16-18	1
	302471	VALVE - FLOW CONTROL (NEEDLE)	1
	400036	SCREW - HHM 5/16-18 X .75 LG ZP	2
	400384	WASHER - CONICAL SPRING 5/16	2
	400390	NUT - FLANGE LOCK 5/16-18	2
	***	OIL - MOTOR/HYDRAULIC 15W40	20 qts.

HYDRAULIC GROUP - CONTROL VALVE



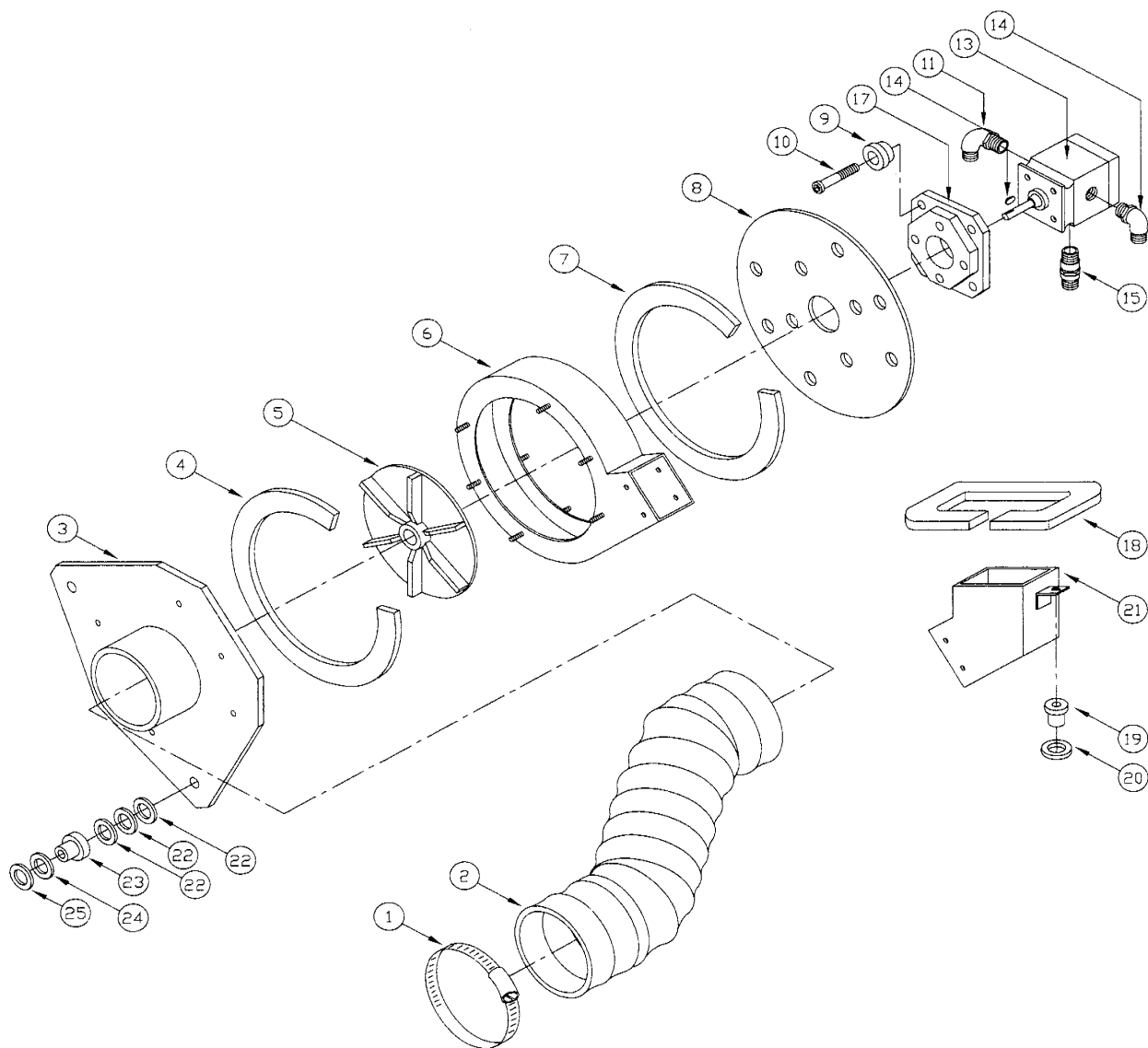
080PH003



HYDRAULIC GROUP - CONTROL VALVE

REF#	PART #	DESCRIPTION	QUANTITY
	307027	ASSY- CONTROL VALVE SUB ARMA	1
1	300558	KNOB - TAPERED #145 BLACK	3
2	307026	ASSY - LEVER COMP RH ARMA	1
3	307028	ASSY - LEVER COMP CENTER ARMA	1
4	307029	ASSY - LEVER COMP LH ARMA	1
5	300884	ROD - PIVOT CONTROL VALVE PLTD	1
6	300548	RING - RETAINING EXT .38	2
7	307206	LINK - HYD VLV SW/A PLTD	6
8	307196	ASSY - CONT VLV MNT PNTD SW/A	1
9	400155	FITTING - 90 7/8-14 TO #8	1
10	400150	FITTING - STR 3/4-16 TO #4	1
11	301683	ORIFICE - "A"	1
12	400150	FITTING - STR 3/4-16 TO #4	1
13	309354	ORIFICE #32	1
14	400150	FITTING - STR 3/4-16 TO #4	1
15	301683	ORIFICE - "A"	1
16	400163	FITTING - TEE OFFSET 3/4-16 TO #8	1
17	400158	FITTING - 45 7/8-14 TO #8	1
18	400157	FITTING - 45 3/4-16 TO #8	1
19	307433	VALVE - HYD CONTROL 3-SPOOL SW/A	1
20	400426	PIN - CLEVIS 3/16 X 3/4 ZP	3
21	400425	PIN - CLEVIS 1/4 X 5/8 ZP	3
22	300465	MOUNT - ISOLATION	4
	400037	SCREW - HHM 5/16-18 X 2.75 LG ZP	1
	400038	SCREW - HHM 5/16-18 X 2.25 LG ZP	1
	400070	NUT - HEX 5/16-18 ZP	2
	400088	WASHER - FLAT 5/16 STANDARD ZP	2
	400102	WASHER - LOCK 5/16 SPLIT ZP	2
	400028	SCR - HHM 3/8-16 X 1.50 LG ZP	4
	400078	NUT - HEX 1/2-13 ES ZP	4
	400079	NUT - HEX 3/8-16 ES ZP	4

IMPELLER GROUP

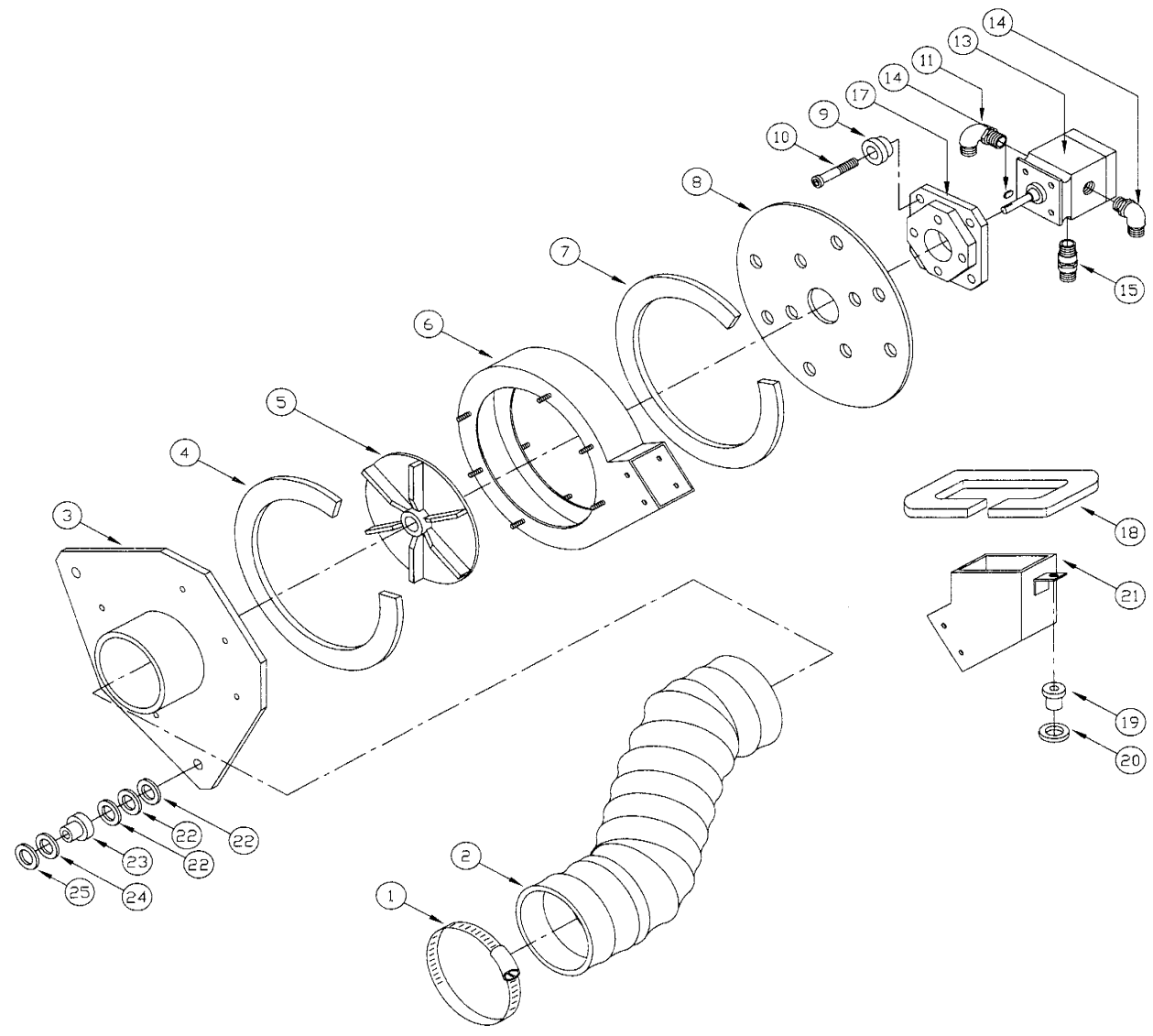


121PH001

IMPELLER GROUP

REF#	PART #	DESCRIPTION	QUANTITY
1	300351	HOSE CLAMP, 4.00" DIAMETER	1
2	307767	FLEXIBLE HOSE, 4" (6 3/4" LENGTH)	1
	400035	SCREW - HHM 5/16-18 X 1.00 LG ZP	2
	400384	WASHER - CONICAL SPRING 5/16	2
	307017	ASSY - IMPELLER ARMA SUB	1
3	307166	FRONT MOUNT ASSEMBLY, IMPELLER SW/A	1
4	304183	GASKET, IMPELLER (SW/75 & SW/A)	1
5	307003	IMPELLER, SW/A	1
6	307004	SHROUD, IMPELLER SW/A	1
7	304183	GASKET, IMPELLER (SW/75 & SW/A)	1
8	307172	MOUNT, IMPELLER MOTOR SW/A	1
10	300465	ISOLATION MOUNT	4
11	400154	HYDRAULIC FITTING, 90 3/4-16 TO #8	1
13	307002	MOTOR - IMPELLER SW/A	1
14	400154	HYDRAULIC FITTING, 90 3/4-16 TO #8	1
15	400212	HYDRAULIC FITTING, ADAPTER 7/16-20 TO #4	1
17	307152	MOUNT ASSEMBLY - IMPELLER MOTOR SW/A	1
19	300465	ISOLATION MOUNT	1
20	400278	FENDER WASHER 3/8	1
21	307189	IMPELLER MANIFOLD ASSY., SW/A	1
22	400278	FENDER WASHER 3/8	5
23	300465	ISOLATION MOUNT	3
25	400278	FENDER WASHER 3/8	3
	400028	SCREW - HHM 3/8-16 X 1.50 LG ZP	3
	400070	NUT - HEX 5/16-18 ZP	4
	400079	NUT - HEX 3/8 -16 ES ZP	4
	400081	NUT - HEX 1/4-20 ES ZP	14
	400089	WASHER - FLAT 1/4 STANDARD ZP	4
	400102	WASHER - LOCK 5/16 SPLIT ZP	4
	400252	SCREW - HEX 1/4-20 X 3.0 ZP	2
	400349	SCREW - FHM 5/16-18 X 1.00 LG SS	3
	400420	NUT - HEX 5/16-24 ES	1
9	307187	SPACER, IMPELLER	4
	300465	MOUNT - ISOLATION	4
18	307777	GASKET - IMPELLER MANIFOLD SW/A	1
24	307188	ISOLATION SPACER, IMPELLER	3

IMPELLER GROUP (CONT.)

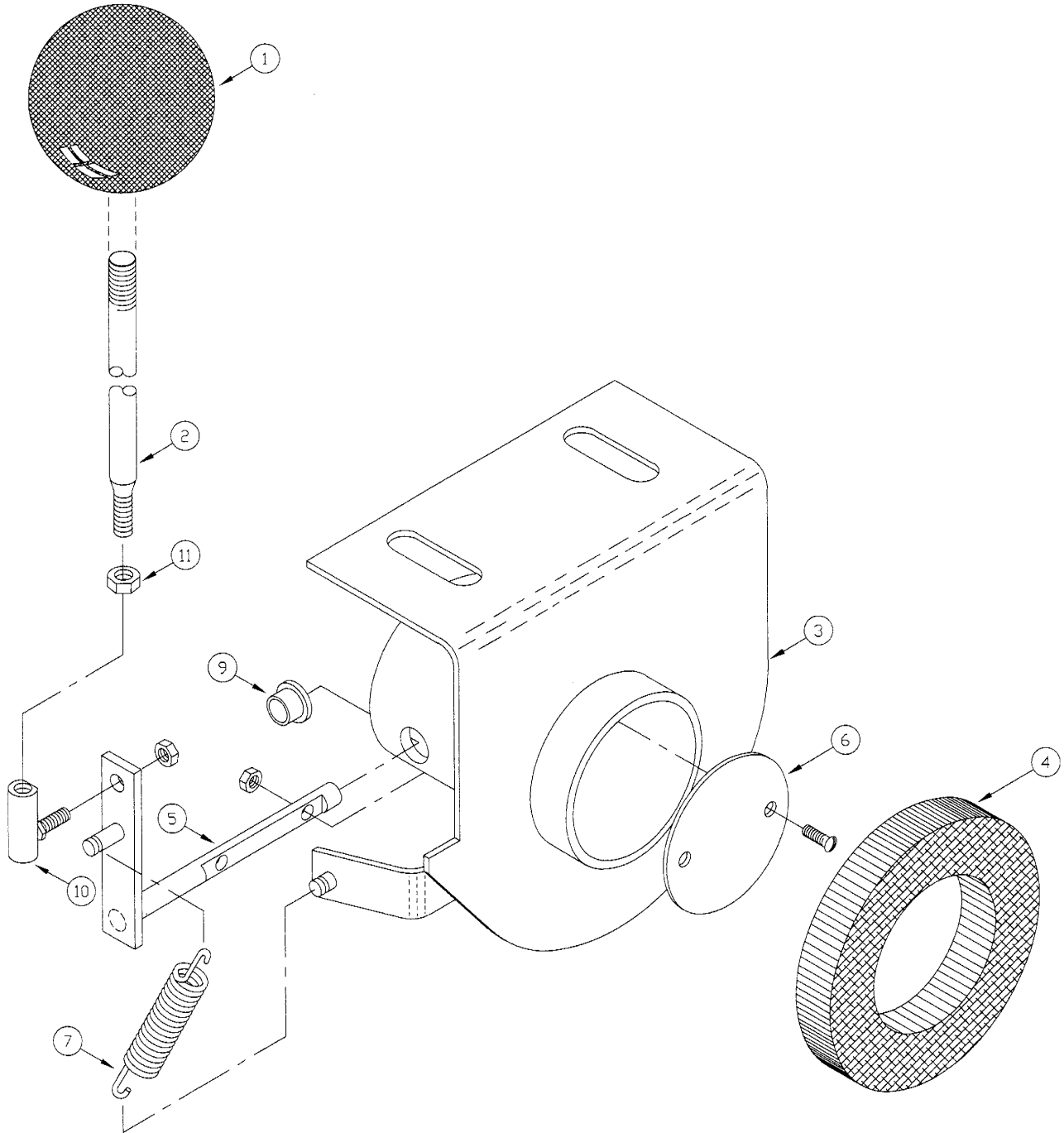


121PH001

IMPELLER GROUP (CONT.)

REF#	PART #	DESCRIPTION	QUANTITY
	400027	SCREW - HHM 3/8-16 X 1.75 LG ZP	3
	400028	SCR - HHM 3/8-16 X 1.50 LG ZP	1
	400278	WASHER - FENDER 3/8	17
	400079	NUT - HEX 3/8-16 ES ZP	4

IMPELLER GROUP - GASKET MOUNT



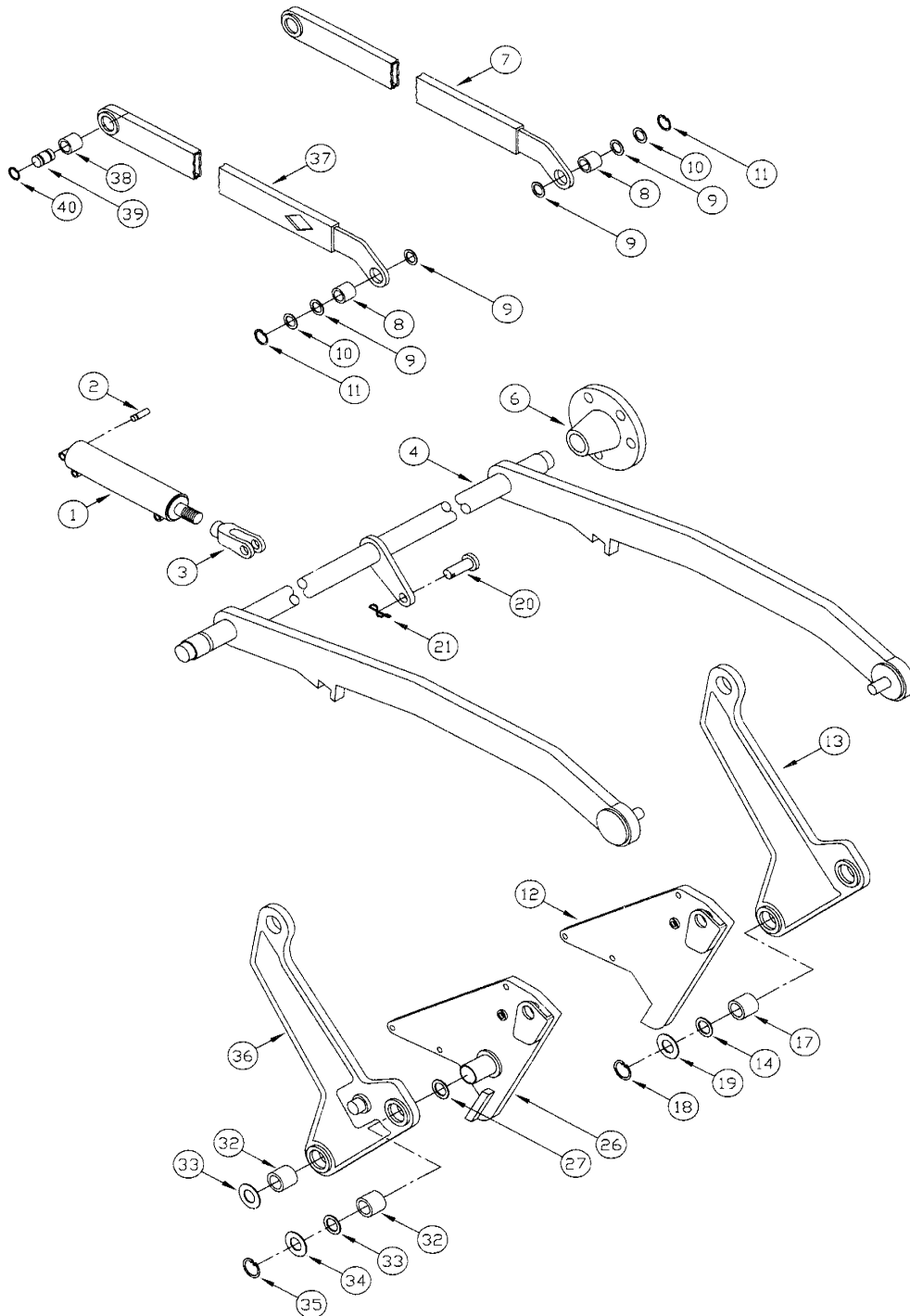
121PH002



IMPELLER GROUP - GASKET MOUNT

REF#	PART #	DESCRIPTION	QUANTITY
	307018	ASSY - GASKET MOUNT SUB ARMA	1
1	300563	KNOB - BALL 1" DIA #113 - BLACK	1
2	307173	ROD - IMPELLER BAFFLE PLTD	1
3	307182	ASSY - GASKET MOUNT PNTD SW/A	1
4	307005	GASKET - IMPELLER SW/A	1
5	307155	ASSY - GASKET MOUNT BAFFLE PLTD SW/A	1
6	301498	DAMPER - HOPPER SHUTOFF PLTD	1
7	304160	SPRING - EXTENSION 2.00 LG	1
8	400103	WASHER - LOCK 1/4 SPLIT ZP	1
9	300414	BUSHING - PLASTIC MAIN BROOM	2
10	301199	ASSY - BALL JOINT 1/4	1
11	400180	NUT - HEX 1/4-28 ZP	2
	310092	CAP - VACUUM ASSY GSKT MNT ARMA	1
	310093	PLUG - 3/8 PLASTIC ASSY GSKT MNT	1
	400045	SCREW - PAN #8-32 X .62 SLT ZP	2
	400082	NUT - HEX #8-32 ES ZP	2
	307767	HOSE - IMPELLER ARMA	1
	300351	CLAMP - HOSE 4.00 DIA	2
	400035	SCREW - HHM 5/16-18 X 1.00 LG ZP	2
	400390	NUT - FLANGE 5/16-18	2
	400384	WASHER - CONICAL SPRING 5/16	2

LIFT ARM GROUP

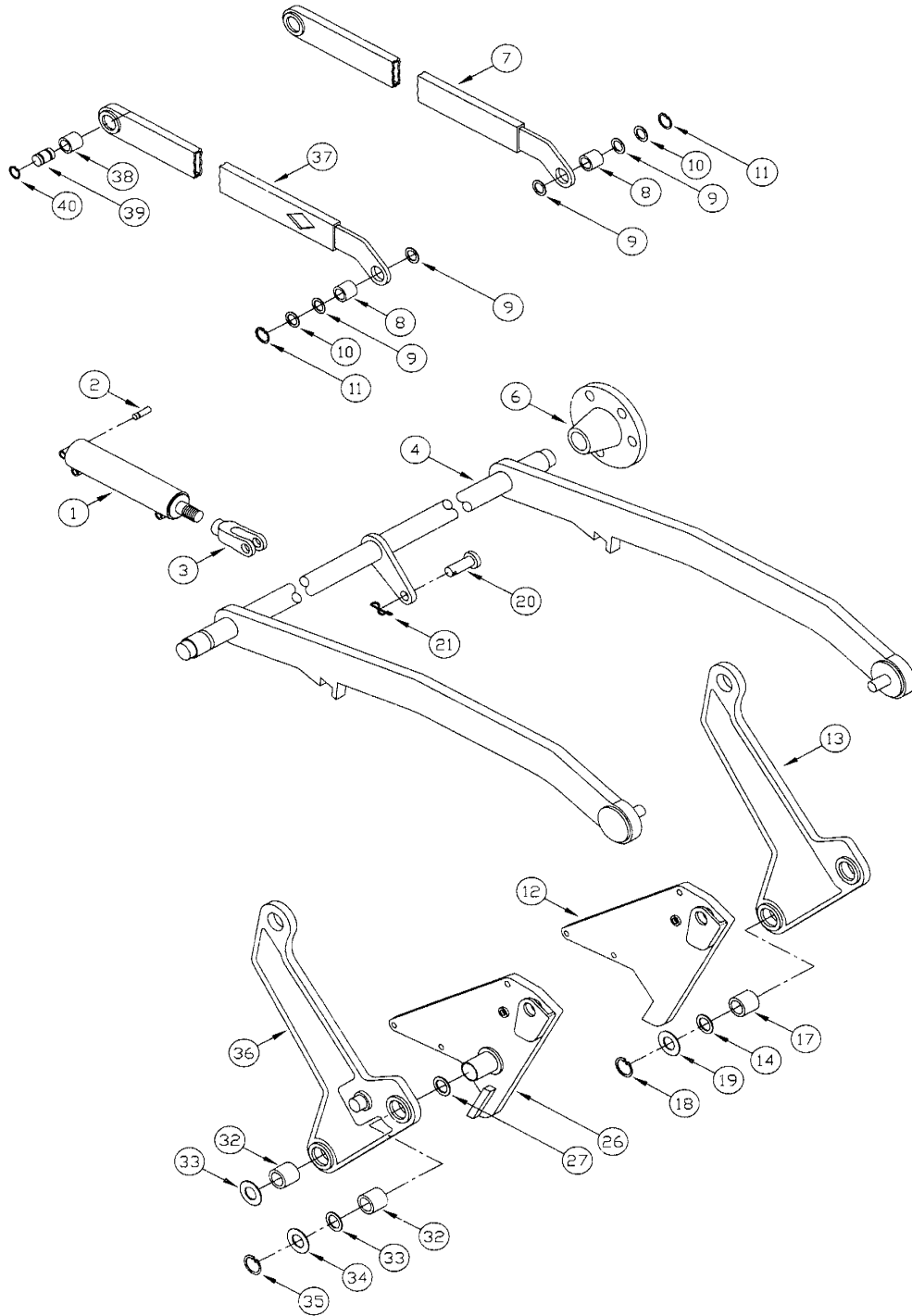


022PH001

LIFT ARM GROUP

REF#	PART #	DESCRIPTION	QUANTITY
1	307243	CYLINDER - LIFT HOPPER ARMA	1
	400152	FTG - 90 1/2-20 TO #5	2
2	307408	PIN - LOWER LIFT CYL PLTD SW/A	1
3	301370	CLEVIS - HYD CYL LD (SP)	1
4	307305	ASSY - LIFT ARM HOPPER PNTD	1
	400025	SCREW - HHM 7/16-14 X 1.25 LG ZP	8
	400099	WASHER - LOCK 7/16 SPLIT ZP	8
	302472	MOUNT - WIRE TIE LOW PROFILE	1
	4000-0088	NUT - NYLON LK 5/8-11	1
	4000-0089	RIVET - AVDEL 3/16 X .602	1
	400107	PIN - CLEVIS 1.00 X 2-5/8 ZP	1
	400121	PIN - COTTER 5/32 X 1.50 ZP	1
	400012	FTG - GREASE 3/16	4
6	307605	ASSY - DUMP ARM MNT SW/A PNTD	2
	400025	SCREW - HHM 7/16-14 X 1.25 LG ZP	8
	400099	WASHER - LOCK 7/16 SPLIT ZP	8
	307076	ASSY - SECONDARY ARM SUB ARMA RH	1
8	300836	BEARING - .218 OD X 2.00 ID X .75	1
38	300837	BEARING - 1.12 OD X 1.00 ID X .75	2
37	307312	ASSY - UPPER LIFT ARM SW/A PNTD	1
	307095	HOSE - HYD VLV TO RH ROT CYL	1
	307751	WIRE HARNESS - LIFT ARM SW/A	1
	307077	ASSY - SECONDARY ARM SUB ARMA LH	1
8	300836	BEARING - .218 OD X 2.00 ID X .75	1
38	300837	BEARING - 1.12 OD X 1.00 ID X .75	2
7	307550	ASSY - LH UPPER LIFT ARM SW/A PNTD	1
	307096	HOSE - HYD VAL TO LFT ROT CYL	1
9	400177	BEARING - FIBERGLIDE 2.06 ID X 3.25	4
10	300882	WASHER - HD 3.25 OD X 2.00 ID	2
11	301709	RING - RET EXT 2.00	2
12	307489	ASSY - LH HOPPER PIVOT PLT PNTD	1
	307075	ASSY - LH CYLINDER MOUNT SUB	1
13	307427	ASSY - IDLER PLATE SW/A PNTD	1
17	300840	BEARING - 2.18 OD X 2.00 ID X 1.50	4
14	400177	BEARING - FIBERGLIDE 2.06 ID X 3.25	3
	301709	RING - RET EXT 2.00	4
	300882	WASHER - HD 3.25 OD X 2.00 ID	4

LIFT ARM GROUP (CONT.)

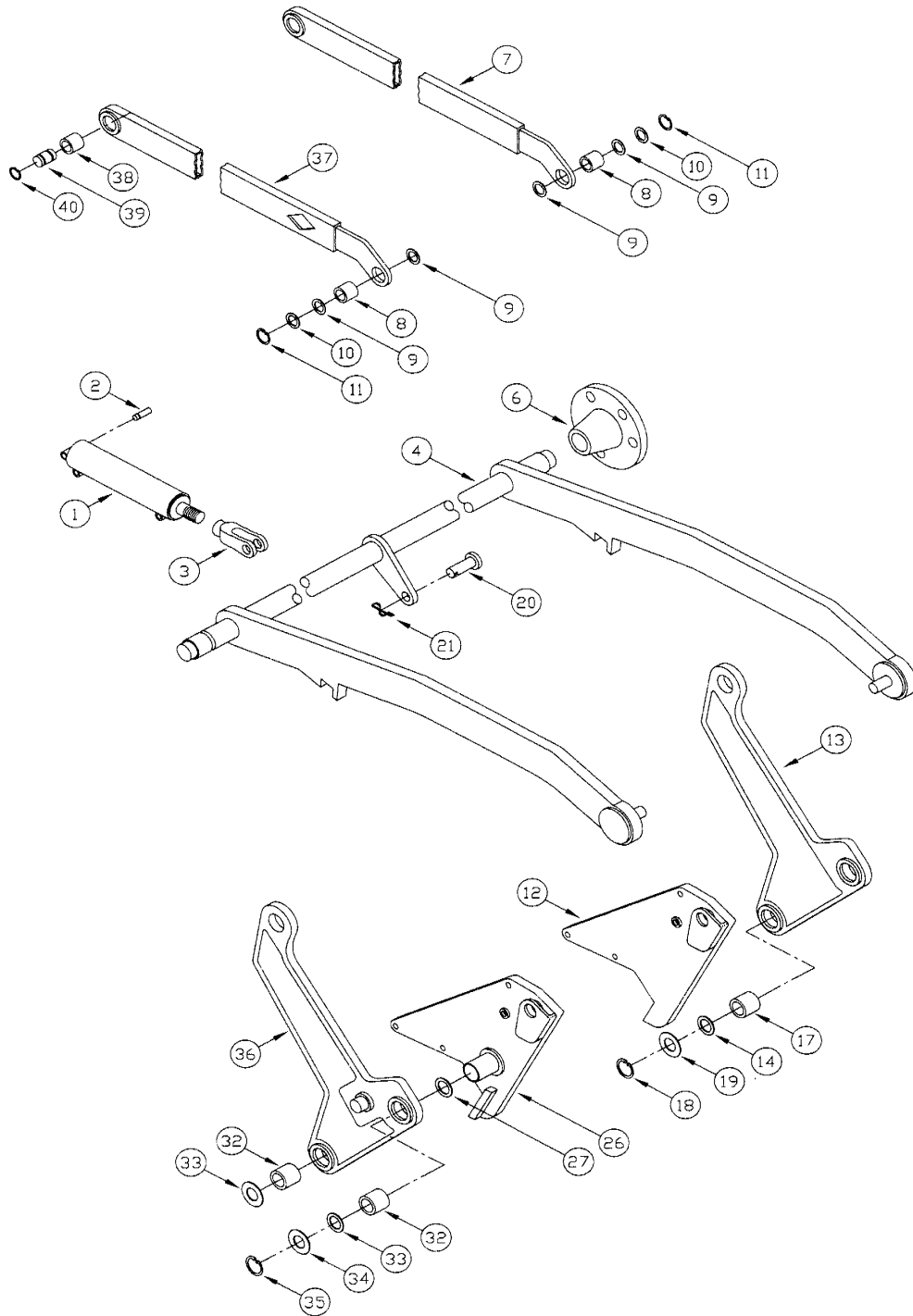


022PH001

LIFT ARM GROUP (CONT.)

REF#	PART #	DESCRIPTION	QUANTITY
18	301709	RING - RET EXT 2.00	2
19	300879	WASHER - HD 3.25 OD X 1.00 ID	1
20	400107	PIN - CLEVIS 1.00 X 2-5/8 ZP	1
21	400120	PIN - COTTER 5/32 X 2.00 ZP	1
	307607	PIN REAR - ROTATION CYL PLTD	2
	301998	RING - RET EXT .940	4
	307323	CYLINDER - ROTATION SW/A PNTD	2
	400152	FTG - 90 1/2-20 TO #5	2
	317119	ASSY - BLOCK ROTATION SUB RH	1
	300552	BEARING - 1 ID X 1.124 OD X 1.50	1
	307741	ASSY - BLOCK ROTATION CYL PLTD	1
	317124	ASSY - BLOCK ROTATION SUB LH	1
	300552	BEARING - 1 ID X 1.124 OD X 1.50	1
	307878	ASSY - BLOCK ROTATION CYL LH PLTD	1
	400449	NUT - HEX JAM 1/2-10 ZP	2
	400306	SCREW - HHM 1/2-20 X 1.00 ZP	2
	400054	SCR - SSCP 1/4-20 X .25 LG ZP	2
	400152	FTG - 90 1/2-20 TO #5	4
26	307481	ASSY - RH HOPPER PIVOT PLT PNTD	1
	301665	GROMMET - Z-2056	2
	307738	MOUNT - RTR #2 SW/A PLTD	2
	400036	SCREW - HHM 5/16-18 X .75 ZP	2
	307728	SLEEVE - ADJUSTABLE SW/A	2
	400102	WASHER - LOCK 5/16 SPLIT ZP	2
27	400177	BEARING - FIBERGLIDE 2.06 ID X 3.25	2
	307606	PIN FRT - ROTATION CYL PLTD	2
	400076	NUT - HEX JAM SLOTTED 1/14 ZP	2
	300879	WASHER - HD 3.25 OD X 1.00 ID	2
	400177	BEARING - FIBERGLIDE 2.06 ID X 3.25	2
	307074	ASSY - RH CYLINDER MOUNT SUB	1
36	307421	ASSY - ROTATION CYL MNT PNTD	1
32	300840	BEARING - 2.18 OD X 2.00 ID X 1.50	4
33	400177	BEARING - FIBERGLIDE 2.06 ID X 3.25	2
	400120	PIN - COTTER 5/32 X 2.00 ZP	1
	400071	NUT - HEX 1/4-20 ZP	1
34	300882	WASHER - HD 3.25 OD X 2.00 ID	2
35	301709	RING - RET EXT 2.00	2

LIFT ARM GROUP (CONT.)

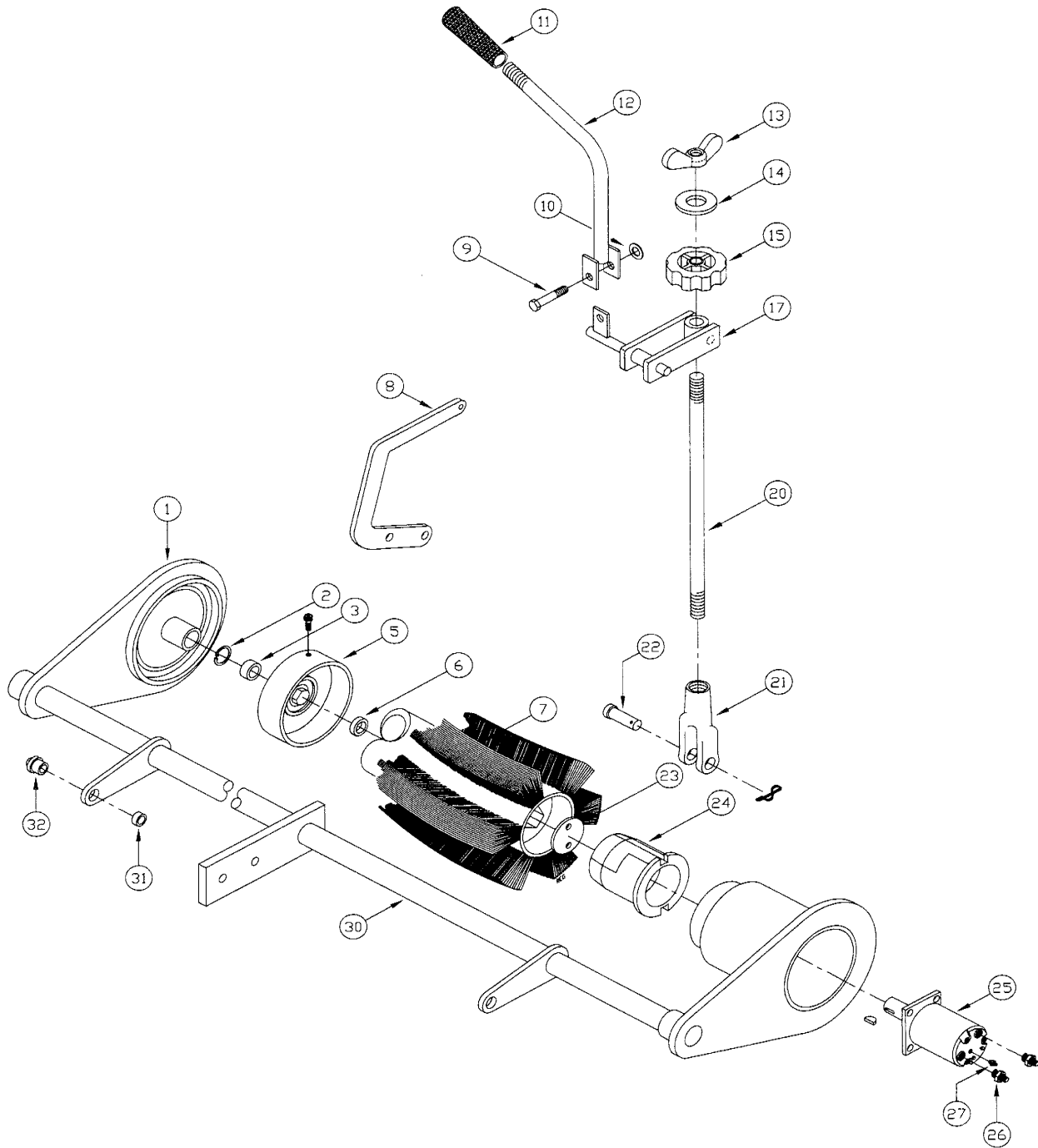


022PH001

**LIFT ARM GROUP (CONT.)**

REF#	PART #	DESCRIPTION	QUANTITY
39	307430	PIN - UPPER LIFT ARM PLTD SW/A	2
40	301998	RING - RET EXT .940	4
	301665	GROMMET - Z-2056	1
	400036	SCR - HHM 5/16-18 X .75 LG ZP	1
	400384	WASHER - CONICAL SPRING 5/16	2
	307431	RING - RETAINING EXT LIFT CYL	2
	400054	SCREW - SSCP 1/4-20 X .25 LG ZP	2
	400071	NUT - HEX 1/4-20 ZP	1
	400390	NUT - FLANGE LOCK 5/16-18	1
	400278	WASHER - FENDER 3/8	2

MAIN BROOM GROUP

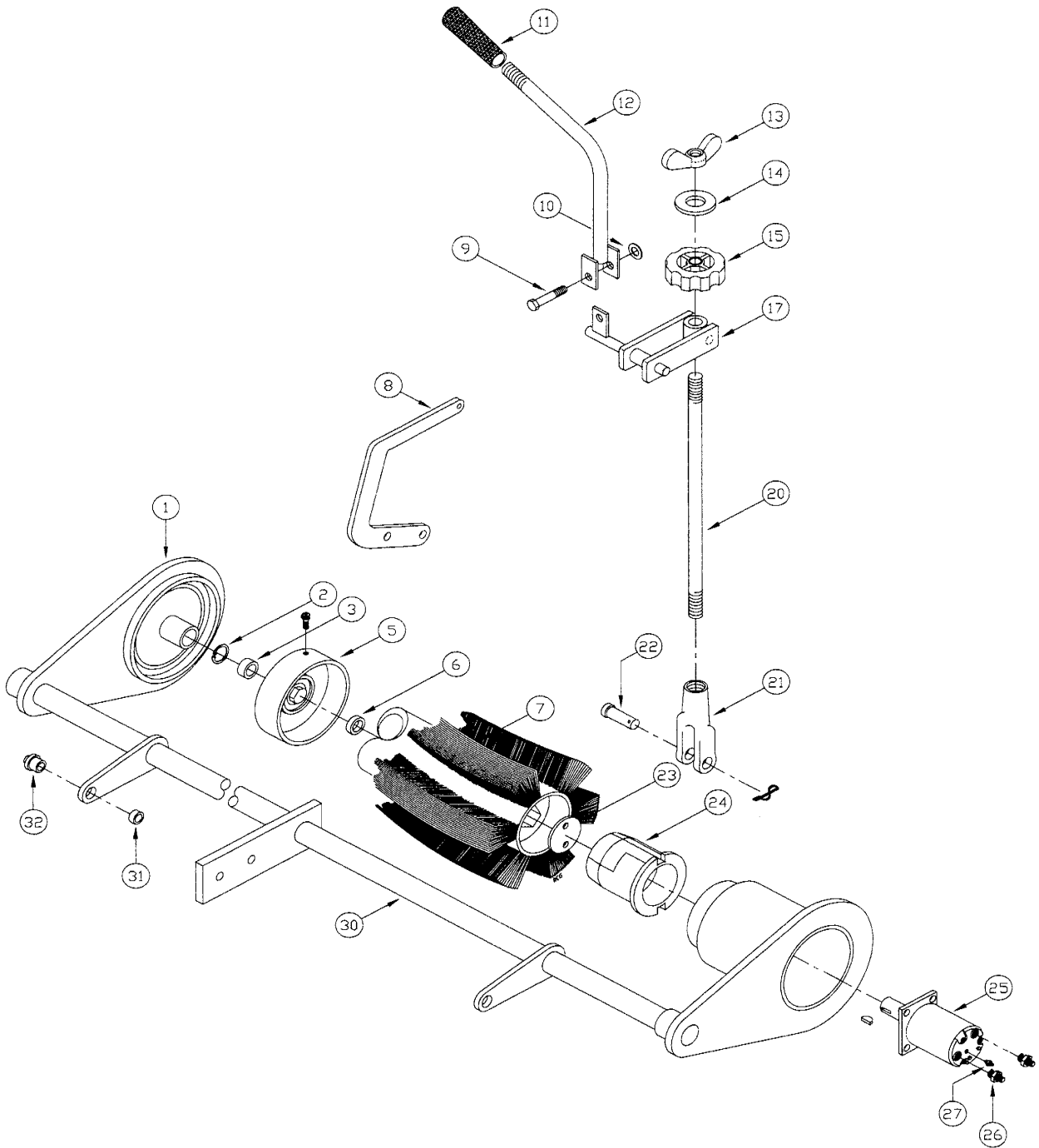


090PH001

MAIN BROOM GROUP

REF#	PART #	DESCRIPTION	QUANTITY
	307016	ASSY - MAIN BRM SUB ARMA	1
2	305666	RING - RETAINING MAIN BROOM	1
3	305667	BEARING - MAIN BROOM	1
	400047	SCREW - SHC 5/16-18 X .75 LG ZP	2
5	305642	HUB - BROOM IDLER PNTD	1
6	400091	WASHER - FENDER 1/2 ZP	1
23	301285	RETAINER - DR HUB PLTD	1
24	301050	HUB - MB DRIVE PNTD	1
	400049	SCREW - SHC 1/4-20 X .75 LG ZP	3
	400103	WASHER - LOCK 1/4 SPLIT ZP	3
25	305669	MOTOR - HYD MAIN BROOM	1
	400032	SCREW - HHM 3/8-16 X .75 LG ZP	4
	400101	WASHER - LOCK 3/8 SPLIT ZP	4
26	304899	FTG - ADAP 3/4-16 TO 1/2 OD TUBE	2
27	400212	FTG - ADAPTER 7/16-20 TO #4	1
30	307207	ASSY - M BRM ARM ARMA PNTD	1
	400024	SCREW - HHM 1/2-13 X .75 LG ZP	1
	400098	WASHER - LOCK 1/2 SPLIT ZP	1
	400023	SCREW - HHM 1/2-13 X 1.00 LG ZP	1
	400086	WASHER - FLAT 1/2 STANDARD ZP	1
	400065	NUT - HEX 1/2-13 ZP	2
	400086	WASHER - FLAT 1/2 STANDARD ZP	5
	400091	WASHER - FENDER 1/2	1
	400098	WASHER - LOCK 1/2 SPLIT ZP	2
	400405	SCREW - HHM 1/2-13 X 3.00 ZP	1
1	305795	ASSY - ARM MB IDLER WB PNTD	1
7	MAIN BROOM (Choose From the Following)		1
	305663	BROOM - 48" PROEX & WIRE	1
	305665	BROOM - 48" HIGH DENSITY NYLON	1
	305810	BROOM - 48" POLY PROEX	1
	305812	BROOM - 48" NYLON	1
	305814	BROOM - 48" HERRINGBONE (PATROL-NYLON)	1
	305824	BROOM - 48" CRINKLE WIRE	1
8	307214	PLT - LIFT ARM MAIN BRM PNTD	1
	400030	SCREW - HHM 3/8-16 X 1.00 LG ZP	2
	400385	WASHER - CONICAL SPRING 3/8	2

MAIN BROOM GROUP (CONT.)

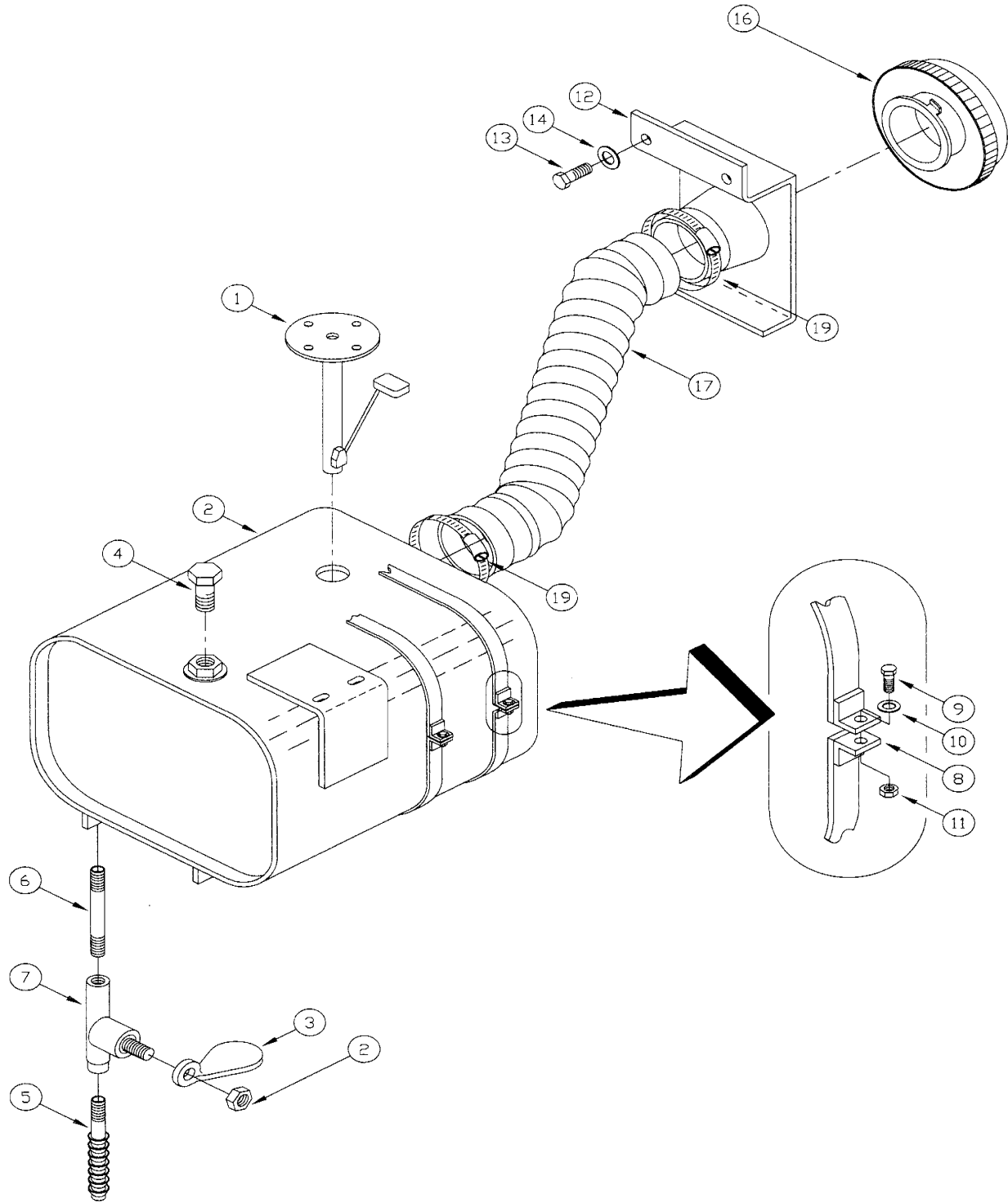


090PH001

MAIN BROOM GROUP (CONT.)

REF#	PART #	DESCRIPTION	QUANTITY
	400392	NUT - FLANGE LOCK 3/8-16	2
9	400117	PIN - CLEVIS 3/8 X 1-1/8 ZP	1
	400125	PIN - COTTER 3/8 RUE-RING	1
	400087	WASHER - FLAT 3/8 STANDARD ZP	1
10	300414	BUSHING - PLASTIC MAIN BROOM	1
11	300558	KNOB - MB CB SQ	1
12	307211	ASSY - MAIN BROOM LEVER PLTD SW/A	1
13	400084	NUT - WING 1/2-13 ZP	1
15	300352	KNOB - MB LIFT ADJ	1
14	400091	WASHER - FENDER 1/2	1
16	303225	RETAINER - ELEC SCRUB HEAD LIFT PLTD	1
17	307209	ASSY - PIVOT MAIN BRM ARMA PNTD	1
	300414	BUSHING - PLASTIC MAIN BROOM	1
	400113	PIN - CLEVIS 3/8 X 5.50 ZP	1
	400125	PIN - COTTER 3/8 RUE-RING	1
	400087	WASHER - FLAT 3/8 STANDARD ZP	1
20	307213	ROD - LIFT MAIN BRM ARMA PLTD	1
	400075	NUT - HEX JAM 3/8-24 ZP	1
21	301447	CLEVIS - CABLECRAFT AC-218	1
22	400116	PIN - CLEVIS 3/8 X 1-1/4 ZP	1
	400125	PIN - COTTER 3/8 RUE-RING	1
	400087	WASHER - FLAT 3/8 STANDARD ZP	2
	307337	GASKET - MAIN BRM ARM SW/A	3
	307338	RETAINER - GASKET MB ARM SW/A PLTD	3
	400044	SCREW - HHM #10-32 X .75 LG ZP	12
	400072	NUT - HEX #10-32 ZP	12
	400104	WASHER - LOCK #10 SPLIT ZP	12
31	307181	SPACER - INNER ENG MNT TYA PLTD	2
32	300432	BUSHING - FL-52-4	2
	400067	NUT - HEX 3/8-24 ZP	2
	400262	SCREW - HHM 3/8-24 X 1.25 ZP	2

MISCELLANEOUS GROUP - GAS TANK



400PH004

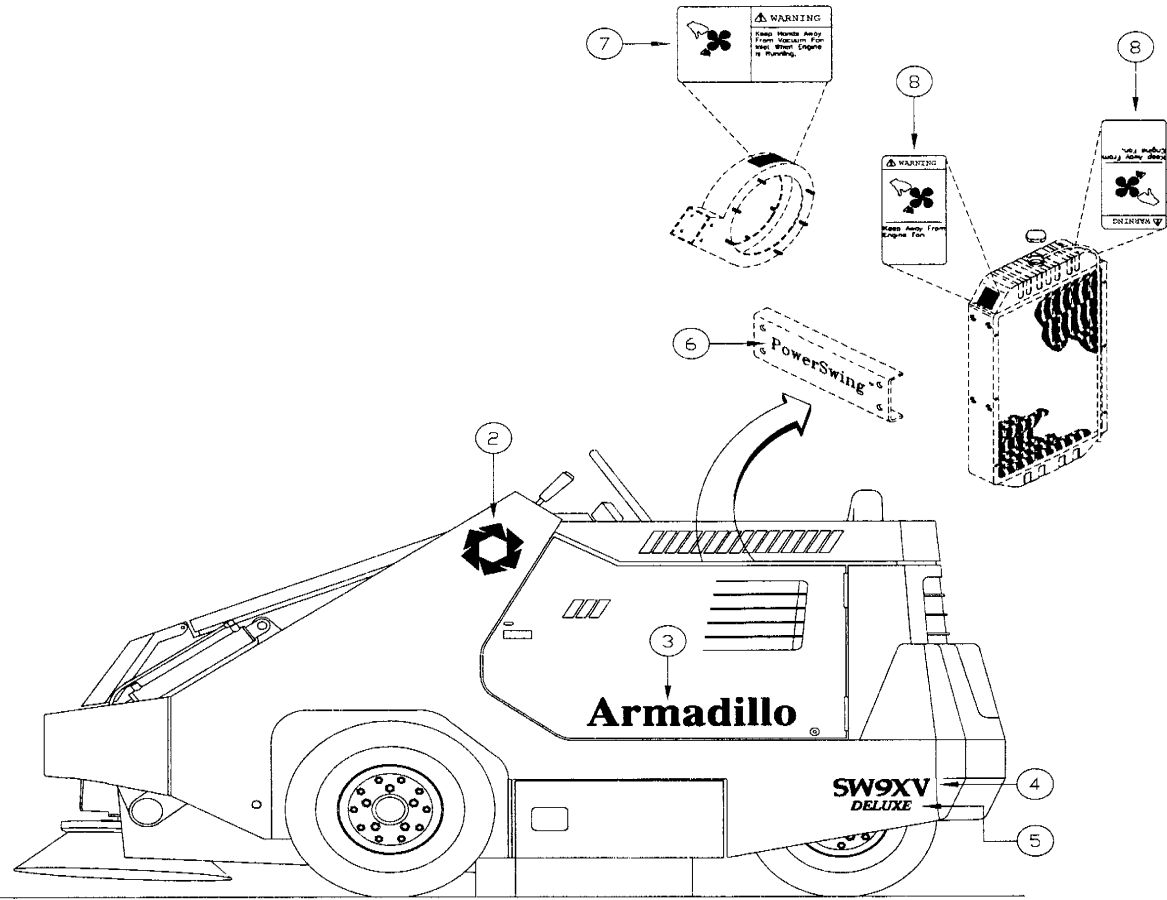
MISCELLANEOUS GROUP - GAS TANK

REF#	PART #	DESCRIPTION	QUANTITY
	307081	ASSY - GAS TANK SUB ARMA	1
Above sub-assembly contains the following items. (1 THRU 7)			
1	300388	SENDER - FUEL W/CORK GASKET	1
2	307575	TANK - FUEL SW/A	1
3	316146	HANDLE - FUEL SHUT OFF (U.L.)	1
4	400256	FTG - PIPE PLUG 1/4 MPT	1
5	400261	FTG - HOSE BARB 1/4 MPT TO 3/8	1
6	400498	FTG - NIPPLE 1/4 NPT X 2.0 BRASS	1
7	400499	VALVE - MINIATURE 1/4 FPT BALL	1
8	307731	ASSY - STRAP FUEL TANK SW/A	2
9	400173	SCREW - HEX 1/4-20 X 1.75 ZP	2
10	400383	WASHER - CONICAL 1/4	2
11	400081	NUT - HEX 1/4-20 ES ZP	2
12	307780	ASSY - FUEL CAP MOUNT SW/A PNTD	1
13	400036	SCR - HHM 5/16-18 X .75 LG ZP	2
14	400384	WASHER - CONICAL SPRING 5/16	2
16	307807	CAP - GAS TANK ARMA PNTD	1
17	315369	HOSE - FUEL FILLER 9XT	1
19	300336	CLAMP - HOSE 2 1/2 NOM SS	2
	307854	HOSE - FUEL LINE LONG TYA	1
	300417	FILTER - FUEL	1
	302338	CLAMP - HOSE .22 TO .62	1
	500137	HOSE - 1/8 ID EED/PCV	8.6 ft.

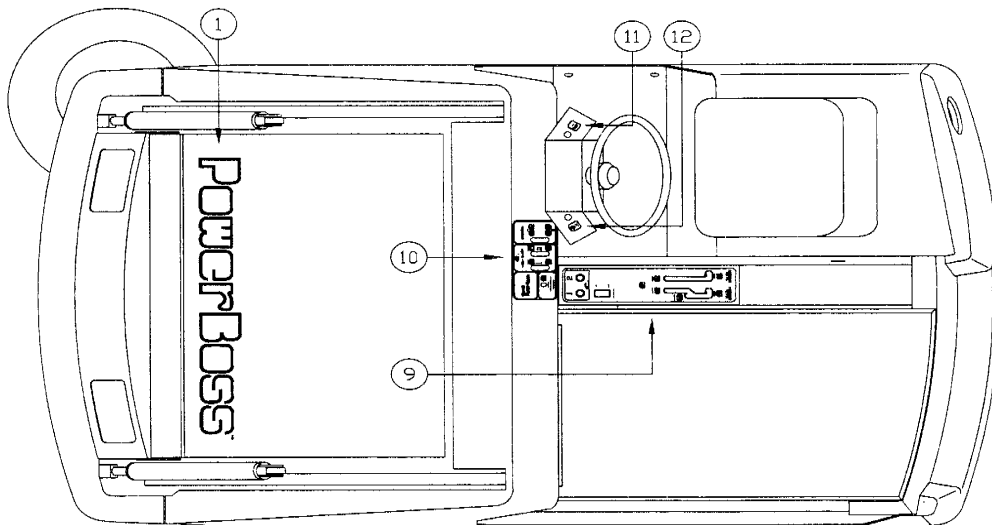
KUBOTA DIESEL ENGINE:

	307066	ASSY - GAS TANK SUB DSL ARMA	1
Above sub-assembly contains the following items. (1 THRU 7)			
1	300388	SENDER - FUEL W/CORK GASKET	1
	304622	FTG - REDUCER 1/4 MPT 1 1/8 FPT	1
2	307575	TANK - FUEL SW/A	1
	307778	FTG - 90 EL 1/8 MPT X 1/4 HOSE BARB	1
3	316146	HANDLE - FUEL SHUT OFF (U.L.)	1
4	400261	FTG - HOSE BARB 1/4 MPT TO 3/8	1
6	400498	FTG - NIPPLE 1/4 NPT X 2.0 BRASS	1
7	400499	VALVE - MINIATURE 1/4 FPT BALL	1

MISCELLANEOUS GROUP - DECALS



Left Side



Top View

400PH001

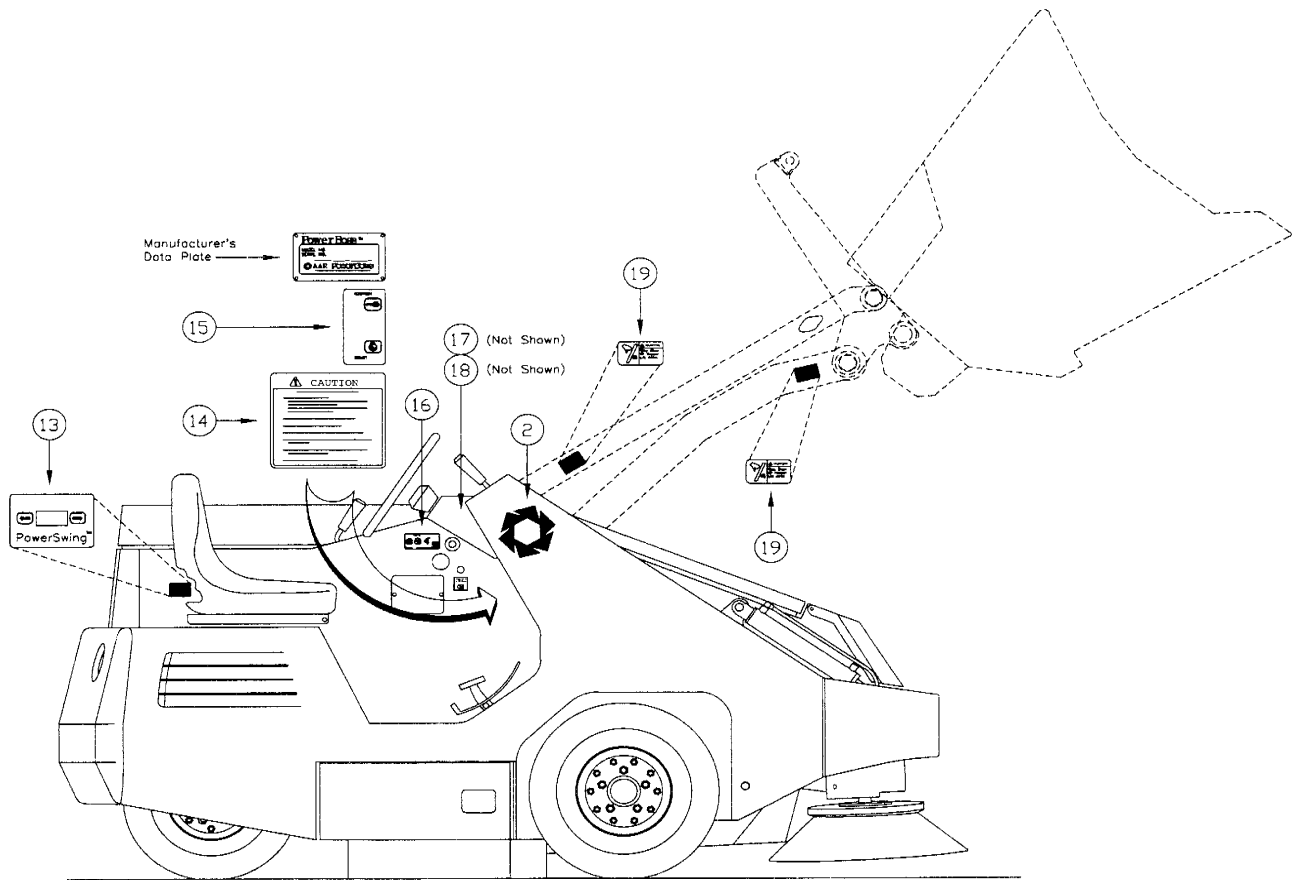
MISCELLANEOUS GROUP - DECALS

REF#	PART #	DESCRIPTION	QUANTITY
------	--------	-------------	----------

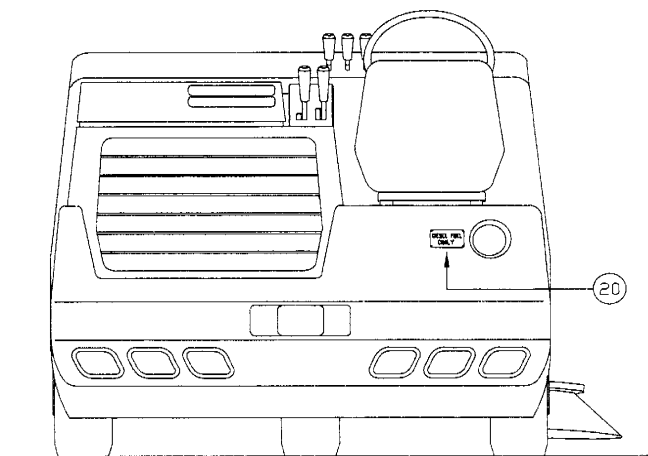
DECALS:

1	307581	DECAL - "POWERBOSS" SW/A	1
2	307583	DECAL - "*" LOGO ARMA	2
3	307813	DECAL - "ARMADILLO"	1
4	318021	DECAL - "SW/9XV"	1
5	318211	DECAL - "DELUXE"	1
6	307814	DECAL - "POWERSWING"	1
7	301729	DECAL - WARNING FAN INLET (IMP)	1
8	301733	DECAL - WARNING FAN (RAD SHROUD)	2
9	307591	DECAL - SIDE PANEL SW/A	1
10	307594	DECAL - FRONT PANEL SW/A	1
11	302525	DECAL - HORN	1
12	302520	DECAL - FILTER SHAKER	1
13	317949	DECAL - POWERSWING	1
14	301854	DECAL - CAUTION	1
15	307599	DECAL - IGNITION SW/A	1
16	307597	DECAL - THROTTLE SW/A	1
17	302518	DECAL - DIRTY FILTER OPTION	1
18	302521	DECAL - FIRE OPTION (HOPPER)	1
19	301732	DECAL - WARNING HOPPER ARMS	4
20	306881	DECAL - "DIESEL FUEL ONLY"	1
	302332	PAD - VAC & BLOWER WAND LG	1
	307588	FLOOR MAT - LARGE SW/A	1
	307587	FLOOR MAT - SMALL SW/A	1

MISCELLANEOUS GROUP - DECALS (CONT.)



Right Side



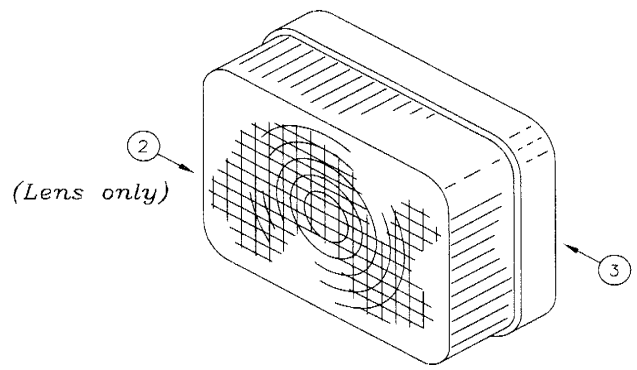
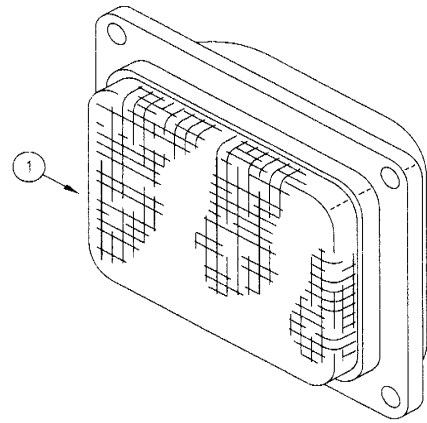
Rear View

400PH002

MISCELLANEOUS GROUP - DECALS (CONT.)

REF#	PART #	DESCRIPTION	QUANTITY
DECALS:			
1	307581	DECAL - "POWERBOSS" SW/A	1
2	307583	DECAL - "*" LOGO ARMA	2
3	307813	DECAL - "ARMADILLO"	1
4	318021	DECAL - "SW/9XV"	1
5	318211	DECAL - "DELUXE"	1
6	307814	DECAL - "POWERSWING"	1
7	301729	DECAL - WARNING FAN INLET (IMP)	1
8	301733	DECAL - WARNING FAN (RAD SHROUD)	2
9	307591	DECAL - SIDE PANEL SW/A	1
10	307594	DECAL - FRONT PANEL SW/A	1
11	302525	DECAL - HORN	1
12	302520	DECAL - FILTER SHAKER	1
13	317949	DECAL - POWERSWING	1
14	301854	DECAL - CAUTION	1
15	307599	DECAL - IGNITION SW/A	1
16	307597	DECAL - THROTTLE SW/A	1
17	302518	DECAL - DIRTY FILTER OPTION	1
18	302521	DECAL - FIRE OPTION (HOPPER)	1
19	301732	DECAL - WARNING HOPPER ARMS	4
20	306881	DECAL - "DIESEL FUEL ONLY"	1
	302332	PAD - VAC & BLOWER WAND LG	1
	307588	FLOOR MAT - LARGE SW/A	1
	307587	FLOOR MAT - SMALL SW/A	1

MISCELLANEOUS GROUP - LIGHTS



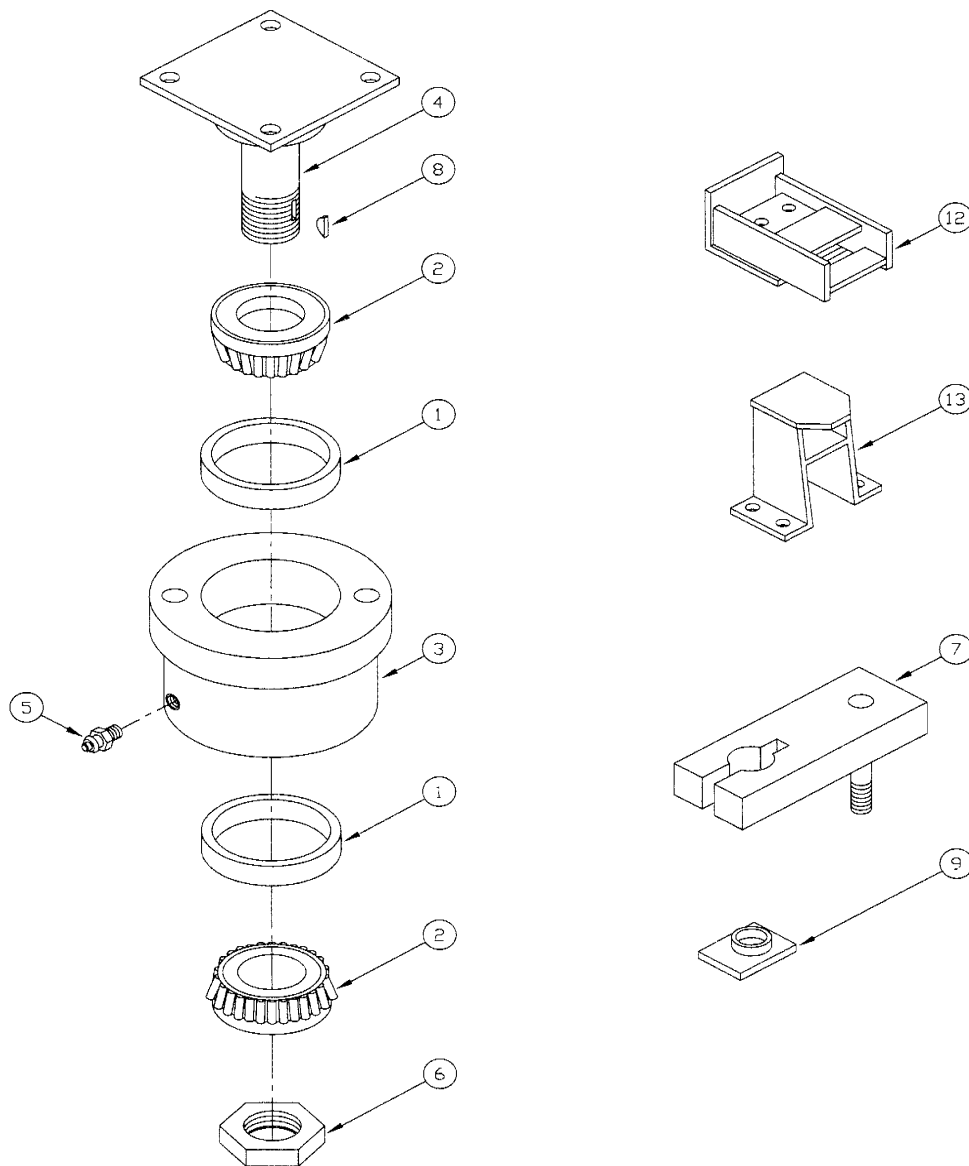
400PH003



MISCELLANEOUS GROUP - LIGHTS

REF#	PART #	DESCRIPTION	QUANTITY
	317122	ASSY - TAIL LIGHT SUB SW/9X	2
Above sub-assembly contains the following items. (1 THRU 6)			
	301358	TIE - WIRE	1
	302462	TERMINAL - MALE SNAP PLUG	2
	302472	MOUNT - WIRE TIE LOW PROFILE	1
3	303204	LIGHT - TAIL 1 COMBINATION	1
	307811	BRKT - TAIL LIGHT SW/A PNTD	1
	400484	RIVET AVDEL 3/16 X .602	1
2	303479	LENS - LT TAIL/COMB. (SP)	1
	400035	SCREW - HEX 5/16-18 X 1.0 ZP	1 PER
	400273	WASHER - STAR 5/16 ZP INT TEETH	1 PER
	400390	NUT - FLANGE LOCK 5/16-18 ZP	1 PER
	400384	WASHER - CONICAL SPRING 5/16	1 PER
	301358	TIE - WIRE	9
	302776	MOUNT - WIRE TIE LARGE	8
HEADLIGHTS require the following items & are installed in the hopper lid.			
	301358	TIE - WIRE	2
1	301359	HEADLIGHT - FLUSH MOUNT TYPE C	2
	301367	WIRING HARNESS - HEADLIGHT	1
	302033	WIRING HARNESS - HD GROUP	1
	302776	MOUNT - WIRE TIE LARGE	2
	400044	SCREW - HEX #10-32 X .75 ZP	8

POWERSWING GROUP

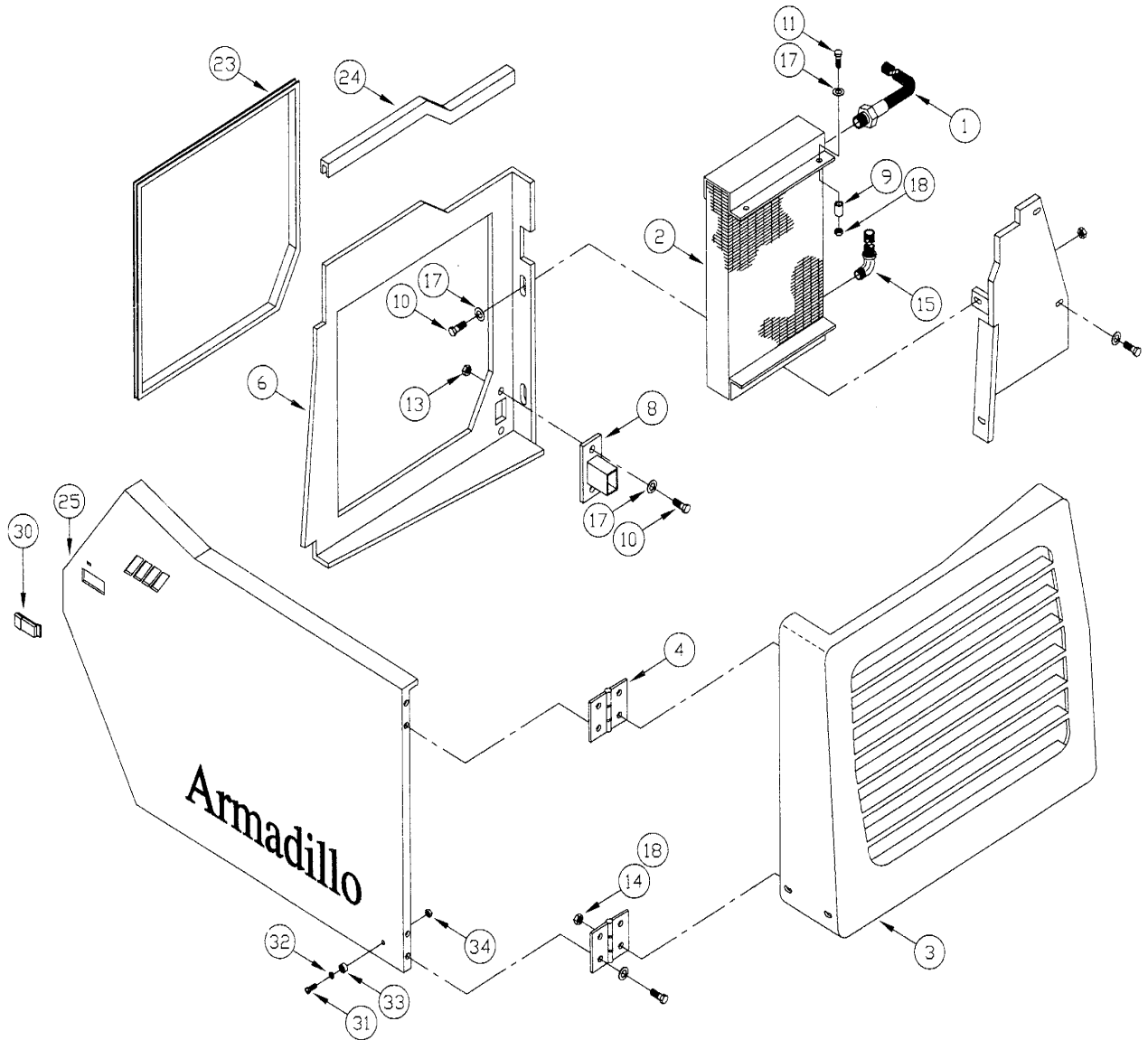


400PH005

POWERSWING GROUP

REF#	PART #	DESCRIPTION	QUANTITY
	307014	ASSY - ENGINE PIVOT SUB ARMA PLTD	1
Above sub-assembly contains the following items. (1 THRU 6)			
1	300470	BEARING - TAPERED ROL CUP	2
2	300471	BEARING - TAPERED ROLCONE W/SEAL	2
3	307326	BRG MNT - ENG PIVOT SW/A PNTD	1
4	307327	ASSY - ENG PIVOT PLT SW/A PNTD	1
5	400012	FTG - GREASE 3/16	1
	400029	SCREW - HEX 3/8-16 X 1.25 ZP	1
	400075	NUT - HEX JAM 3/8-24 ZP	4
	400079	NUT - HEX 3/8-16 ES ZP	4
6	400083	NUT - HEX JAM 1 1/4-12 ES ZP	1
	400186	SCREW - HEX 3/8-24 X 1.00 ZP	4
	400038	SCR - HHM 5/16-18 X 2.25 LG ZP	1
	400080	NUT - HEX 5/16-18 ES ZP	1
7	307371	ASSY - ENG SWING ARM SW/A PNTD	1
8	307640	KEY - ENGINE SWING ARM SW/A	1
	400435	WASHER - LOCK 3/4 SPLIT ZP	1
9	400423	NUT - HEX 3/4-16 ZP	1
	307374	ACTUATOR - ENGINE SWING SW/A	1
	302207	RING - RET EXT .50	1
	307841	SPACER - ACTUATOR ENGINE PNTD	1
	400405	SCR - HHM 1/2-13 X 3.00 ZP	1
	400078	NUT - HEX 1/2-13 ES ZP	1
	400065	NUT - HEX 1/2-13 ZP	1
	307590	SWITCH - ENGINE INTERLOCK SW/A	1
	400428	SCREW - PAN #6-32 X 1.0 SLT ZP	2
	400299	NUT - HEX #6-32 ZP	2
	307553	SWITCH - ROCKER ENG SWING SW/A	1
12	307362	ASSY - ENG CATCH INNER SW/A PNTD	1
	400030	SCREW - HEX 3/8-16 X 1.0 LG ZP	2
	400385	WASHER - CONICAL SPRING 3/8	2
	400392	NUT - FLANGE LOCK 3/8-16	2
13	307357	ASSY - ENG CATCH OUTER SW/A PNTD	1
	400035	SCREW - HEX 5/16-18 X 1.0 ZP	4
	400102	WASHER - LOCK 5/16 SPLIT ZP	4
	400070	NUT - HEX 5/16-18 ZP	4

RADIATOR GUARD GROUP



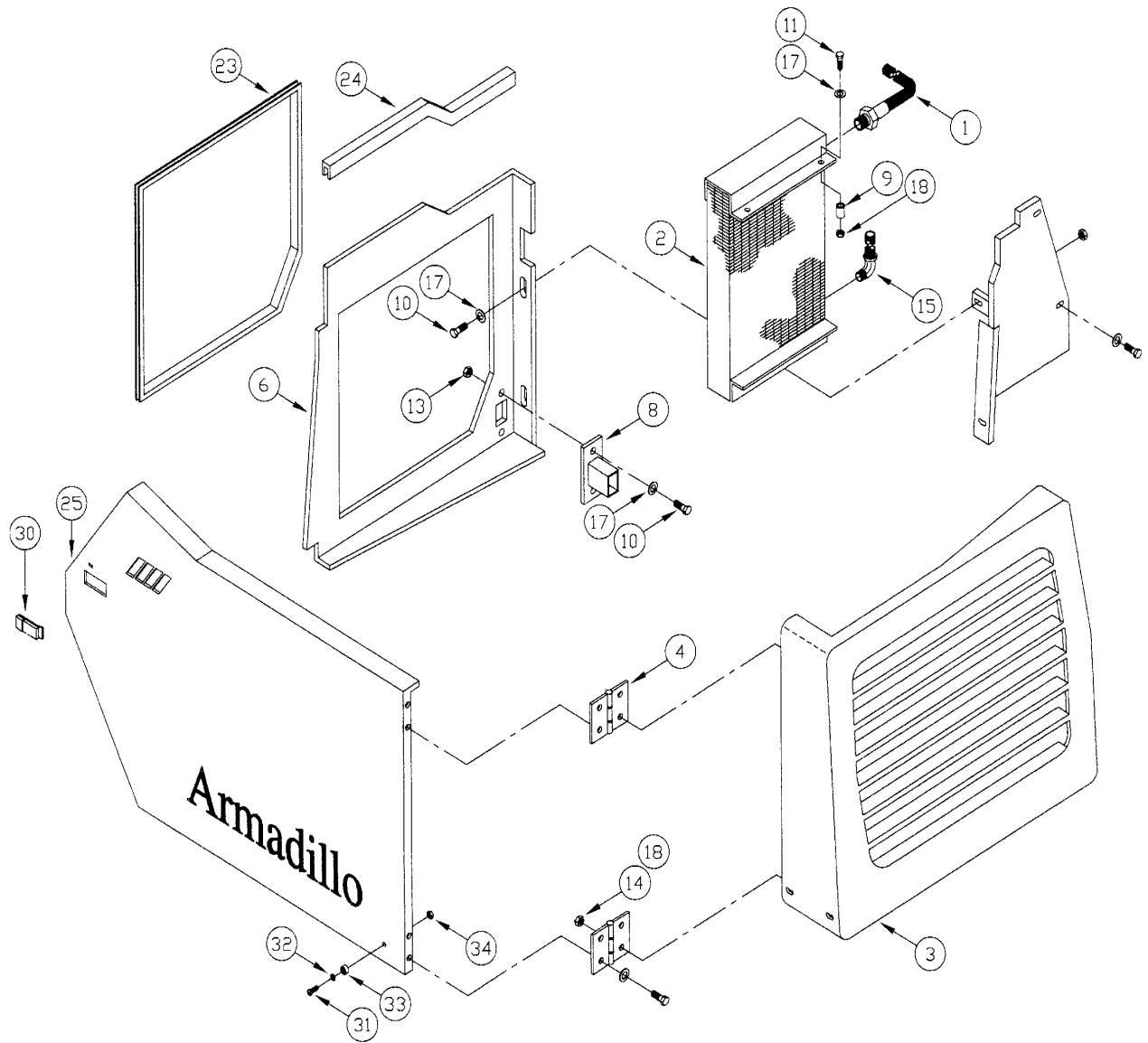
011PH001



RADIATOR GUARD GROUP

REF#	PART #	DESCRIPTION	QUANTITY
	317120	ASSY - GUARD RADIATOR SUB 9XT	1
Above sub-assembly contains the following items. (1 THRU 26)			
1	304899	FTG - ADAP 3/4-16 TO 1/2 OD TUBE	1
2	306740	COOLER - OIL HYD IMPELLER	1
3	307470	ASSY - RADIATOR GUARD SW/A PNTD	1
4	307513	HINGE - SIDE DOOR SW/A PNTD	2
	307560	SPACER - SIDE DOOR SW/A PNTD	1
6	307647	BAFFLE - RADIATOR SW/A PNTD	1
	307828	PLATE - COIL MOUNT SW/A PNTD	1
8	307888	ASSY - EXHAUST EXT SW/A PNTD	1
9	309084	SPACER - OIL COOLER	2
10	400036	SCREW - HEX 5/16-18 X .75 ZP	4
11	400038	SCREW - HEX 5/16-18 X 2.25 ZP	2
	400042	SCREW - HEX 1/4-20 X .75 ZP	4
13	400063	NUT - FLANGE LOCK 1/4-20 ZP	4
14	400148	SCREW - TRS 5/16-18 X .5 SLT ZP	4
15	400154	FTG - 90 EL 3/4-16 TO #8	1
	400383	WASHER - CONICAL SPRING 1/4	4
17	400384	WASHER - CONICAL SPRING 5/16	6
18	400390	NUT - FLANGE LOCK 5/16-18	6
	400391	NUT - FLANGE LOCK 5/16-24	4
	400036	SCR - HHM 5/16-18 X .75 LG ZP	5
	400384	WASHER - CONICAL SPRING 5/16	5
	400390	NUT - FLANGE LOCK 5/16-18	5
23	500198	SEAL - TRIM FOR CAB (SD-109) "U"	5'8"
24	500199	SEAL - TRIM FOR CAB (SD-168) "C"	20.25"
25	307510	ASSY - SIDE DOOR SW/A PNTD	1
	400148	SCR - THM 5/16-18 X .50 ZP	8
	400391	NUT - FLANGE LOCK 5/16-24	8
30	300380	LATCH ASSY. #C2-10-301-50	1
31	400036	SCR - HHM 5/16-18 X .75 LG ZP	1
32	400088	WASHER - FLAT 5/16 STANDARD ZP	1
33	302482	BUMPER - SEAT MOUNT	1
34	400080	NUT - HEX 5/16-18 ES ZP	1
	307529	ASSY - DOOR STRIKE SW/A PNTD	2
	400405	SCR - HHM 1/2-13 X 3.00 ZP	2

RADIATOR GUARD GROUP (CONT.)

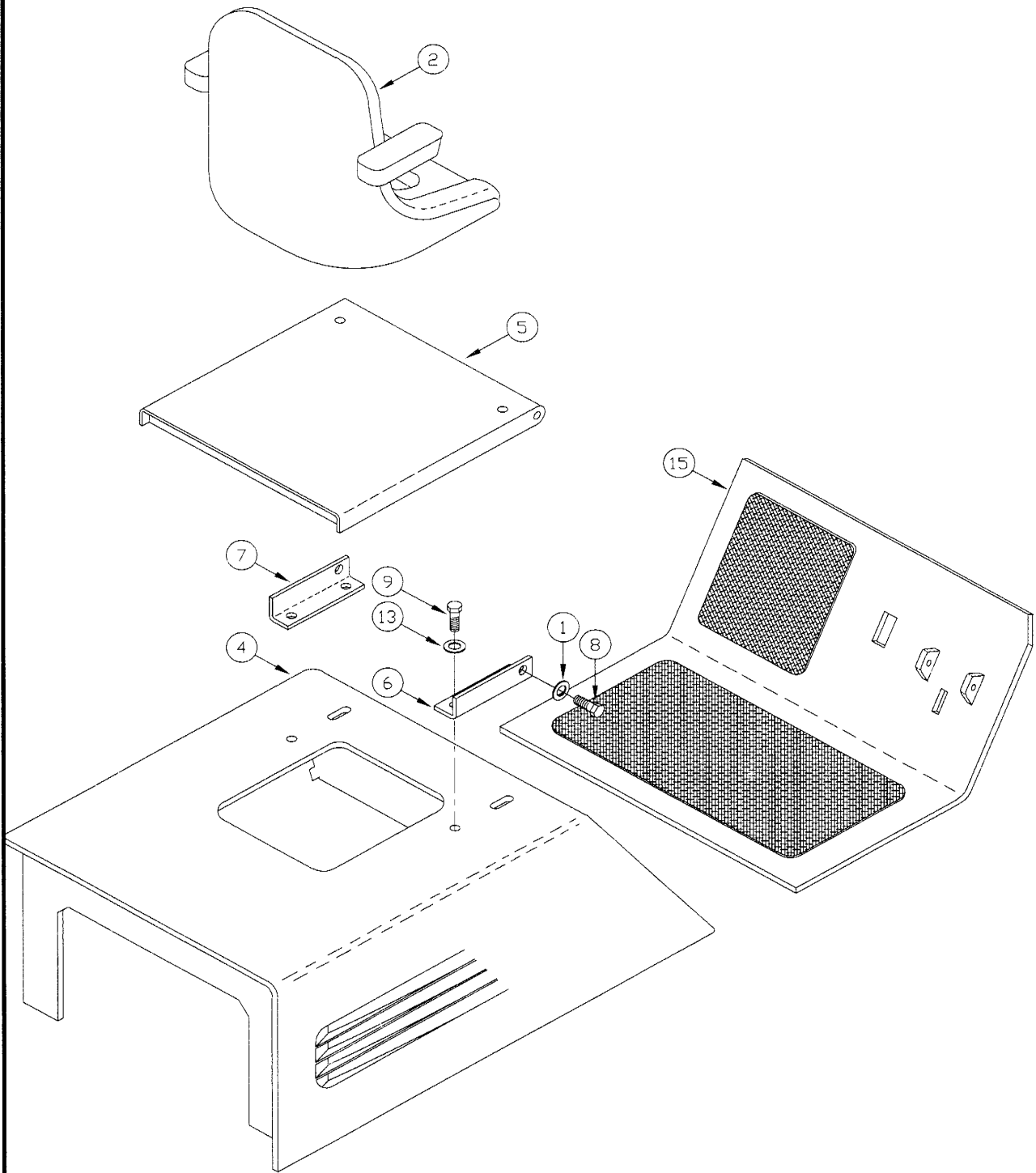


011P4001

**RADIATOR GUARD GROUP (CONT.)**

REF#	PART #	DESCRIPTION	QUANTITY
	400262	SCR - HHM 3/8-24 X 1.25 ZP	2
	400086	WASHER - FLAT 1/2 STANDARD ZP	4
	400098	WASHER - LOCK 1/2 SPLIT ZP	2
	400065	NUT - HEX 1/2-13 ZP	2
	400067	NUT - HEX 3/8-24 ZP	2

REAR COVER/SEAT GROUP

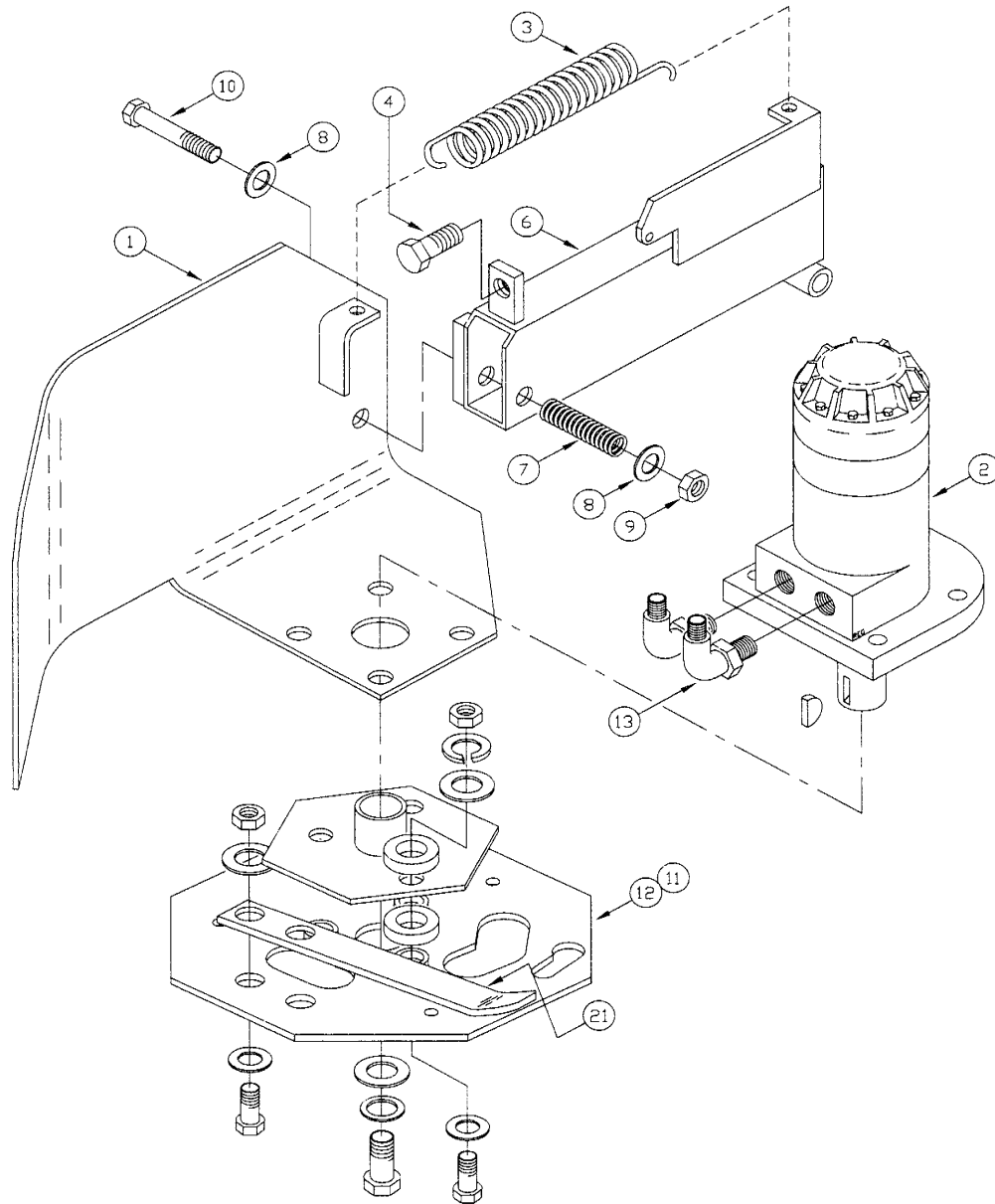


050PH001

REAR COVER/SEAT GROUP

REF#	PART #	DESCRIPTION	QUANTITY
	317168	ASSY - SEAT CLIP SUB SW/9XT	1
1	300339	SLEEVE - SQ & FWD/REV	2
2	300406	ASSY - SEAT MICHIGAN W/ARMREST	1
	302482	BUMPER - SEAT MOUNT	2
4	307290	ASSY - SEAT CLIP SW/A PNTD	1
5	307416	ASSY - SEAT MOUNT (STD) PNTD	1
6	307419	PIVOT RH - SEAT MOUNT PNTD SW/A	1
7	307420	PIVOT LH - SEAT MOUNT PNTD SW/A	1
8	400029	SCREW - HEX 3/8-16 X 1.25 ZP	2
9	400036	SCREW - HEX 5/16-18 X .75 ZP	10
	400079	NUT - HEX 3/8-16 ES ZP	2
13	400384	WASHER - CONICAL SPRING 5/16	8
	400390	NUT - FLANGE LOCK 5/16-18	4
15	307302	ASSY - FLOOR PAN SW/A PNTD	1
	400009	SCR - CSN 5/16-18 X 1.00 LG ZP	3
	400384	WASHER - CONICAL SPRING 5/16	3
	400390	NUT - FLANGE LOCK 5/16-18	3
	307587	FLOOR MAT - SMALL SW/A	1
	307588	FLOOR MAT - LARGE SW/A	1
	307590	SWITCH - ENGINE INTERLOCK SW/A	1
	400428	SCR - PHM #6-32 X 1.00 LG ZP	2
	400299	NUT - HEX #6-32 ZP	2
	307553	SWITCH - ENG SWING ARMA	1

SIDE BROOM GROUP

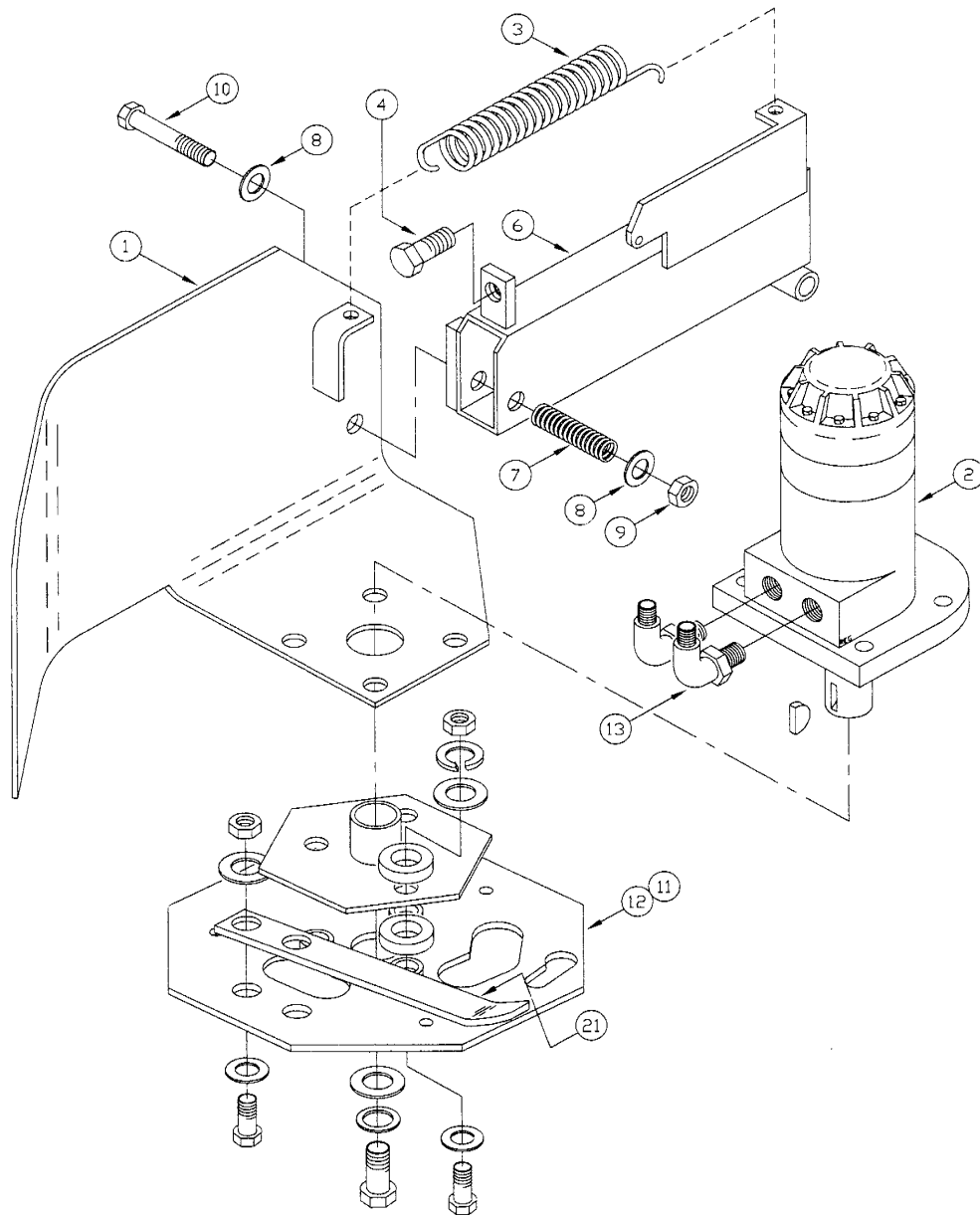


091PH001

SIDE BROOM GROUP

REF#	PART #	DESCRIPTION	QUANTITY
	307033	ASSY - CURB BROOM SUB ARMA	1
1	307654	ASSY - SIDE BROOM MOUNT PNTD	1
2	301560	MOTOR - HYD CURB BRM PNTD	1
	400032	SCREW - HHM 3/8-16 X .75 LG ZP	4
	400101	WASHER - LOCK 3/8 SPLIT ZP	4
3	302599	SPRING - EXT LOOPS-IN-LINE ZP	1
4	400068	NUT - HEX 3/8-16 ZP	1
	400029	SCREW - HHM 3/8-16 X 1.25 LG ZP	1
6	307527	ASSY - CURB BROOM ARM PNTD	1
7	306179	SPRING - CURB BROOM SW/71	1
8	400087	WASHER - FLAT 3/8 STANDARD ZP	2
9	400342	NUT - HEX 3/8-24 ES ZP	1
10	400258	SCREW - HHM 3/8-24 X 4.00 ZP	1
11	301474	ASSY - DRIVE SCRUB BRUSH CB SUB	1
	300465	MOUNT - ISOLATION	3
	300875	ASSY - DR HUB SC BR PNTD	1
12	301262	PLATE - GIMBAL SC HD PNTD	1
21	302058	RETAINER - BRUSH	1
	400028	SCREW - HHM 3/8-16 X 1.50 LG ZP	3
	400042	SCREW - HHM 1/4-20 X .75 LG ZP	2
	400068	NUT - HEX 3/8-16 ZP	3
	400081	NUT - HEX 1/4-20 ES ZP	2
	400101	WASHER - LOCK 3/8 SPLIT ZP	3
	400278	WASHER - FENDER 3/8	9
13	400155	FTG - 90 7/8-14 TO #8	2
	400049	SCREW - SHC 1/4-20 X .75 LG ZP	1
	400103	WASHER - LOCK 1/4 SPLIT ZP	1
	307794	PIN - CLEVIS 1/2 X 4 1/2 ZP	1
	400086	WASHER - FLAT 1/2 STANDARD ZP	1
	400124	PIN - COTTER 5/8 RUE-RING	1
	400053	SCREW - SSCP 1/2-20 X 1.75 LG ZP	1
	400064	NUT - HEX 1/2-20 ZP	1
	307678	HOSE - HYD VLV #18 TOP OF TEE	1
	307667	HOSE - HYD CB INNER PORT TO VLV	1
	307868	CABLE - SIDE BROOM SW/A	1
	400118	PIN - CLEVIS 5/16 X 7/8 ZP	1
	400088	WASHER - FLAT 5/16 STANDARD ZP	1

SIDE BROOM GROUP (CONT.)

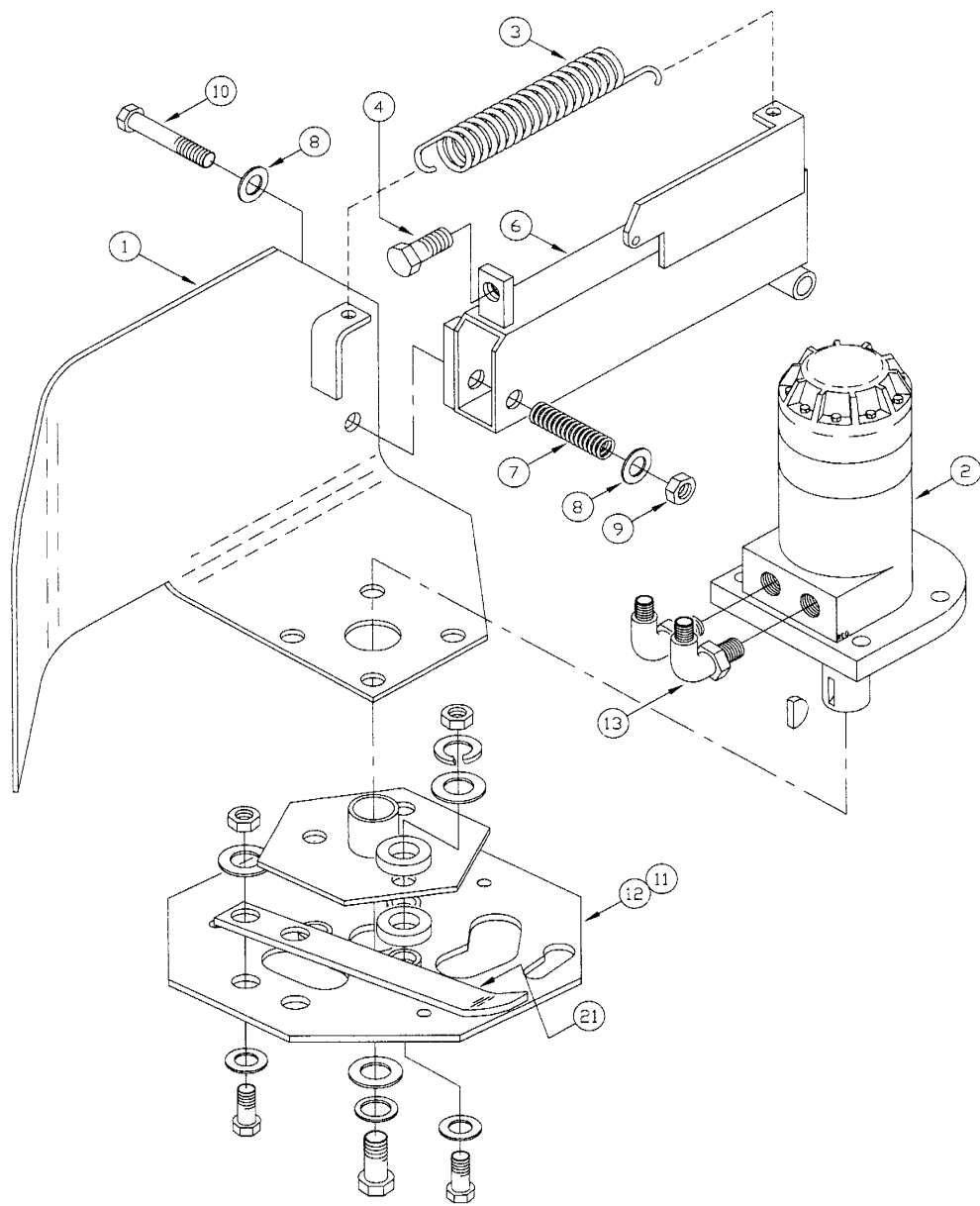


091PH001

SIDE BROOM GROUP (CONT.)

REF#	PART #	DESCRIPTION	QUANTITY
	400125	PIN - COTTER 3/8 RUE-RING	1
	300368	PULLEY - PLASTIC	3
	400069	NUT - HEX 5/16-24 ZP	1
	307642	CLEVIS -5/16 PLTD SW/A	1
	400184	PIN - CLEVIS 5/16 X 1 1/8 ZP	3
	400088	WASHER - FLAT 5/16 STANDARD ZP	6
	400125	PIN - COTTER 3/8 RUE-RING	3
	400227	SCREW - HHM 1/4 -20 X 1.25 ZP	1
	400040	SCREW - HHM 1/4-20 X 1.00 LG ZP	2
	400081	NUT - HEX 1/4-20 ES ZP	3
	307877	VALVE - CURB BROOM SPEED CONTROL	1
	400264	FTG - MALE CONNECTOR 9/16 TO #4	2
	302408	FTG - REDUCER TUBE END 8 - 4	2
	302409	FTG - NUT #8 BTX-5	2
	400245	FTG - SWIVEL 90 EL #4 JIC	2
	400328	FTG - TEE UNION 1/2	2
	307896	HOSE - HYD ASSY CB VLV / TEES	1
	307885	JACKET - HOSE NYLON	1
	307879	HOSE - HYD SB SPEED CONTROL / TEE	1
	307880	HOSE - HYD SB SPEED CONTROL / TEE	1
	300526	BUMPER - RUBBER 1/4 ID X 1/8 THK	2
	307876	MNT - VLV CB SPEED CTRL PNTD	1
	400042	SCREW - HHM 1/4-20 X .75 ZP	2
	400383	WASHER - CONICAL SPRING 1/4	2
	400063	NUT - FLANGE LOCK 1/4-20 ZP	2
	307897	HOSE - HYD ASSY CTRL VLV / CB TEES	1
	307883	JACKET - HOSE NYLON	1
	307881	HOSE - CTRL VALVE / SB TEES	1
	307882	HOSE - CTRL VALVE / SB TEES	1
	307898	HOSE - HYD ASSY CB MOTOR TEES	1
	307884	JACKET - HOSE NYLON	1
	300604	HOSE - HYD FILTER / RESERVOIR	2
	302493	TIE - WIRE BLACK	1
	302267	TIE - WIRE 8.00 IN.	4
	301358	TIE - WIRE	2
	305398	CLIP- HYD HOSE MS TOYOTA PLTD	1

SIDE BROOM GROUP (CONT.)



091PH001



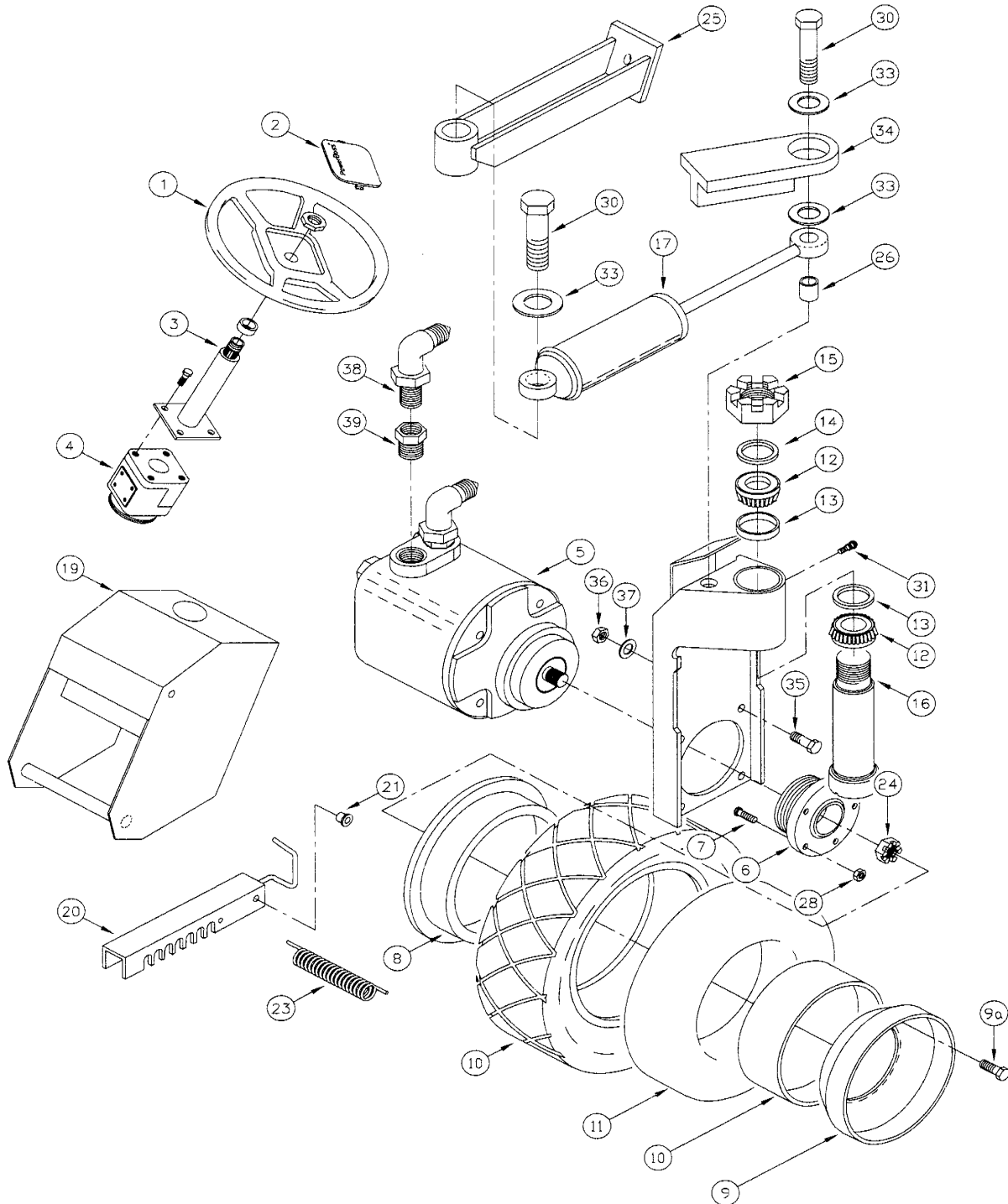
SIDE BROOM GROUP (CONT.)

REF#	PART #	DESCRIPTION	QUANTITY
	400173	SCR - HHM 1/4-20 X 1.75 ZP	1
	400081	NUT - HEX 1/4-20 ES ZP	1

Replacement Side (or Curb) Brooms:

300306	24" Poly Side Broom (Comes Standard on Machine)
300307	26" Poly Side Broom
300308	24" Nylon Side Broom
300309	26" Nylon Side Broom
300311	26" Wire Side Broom

STEERING GROUP

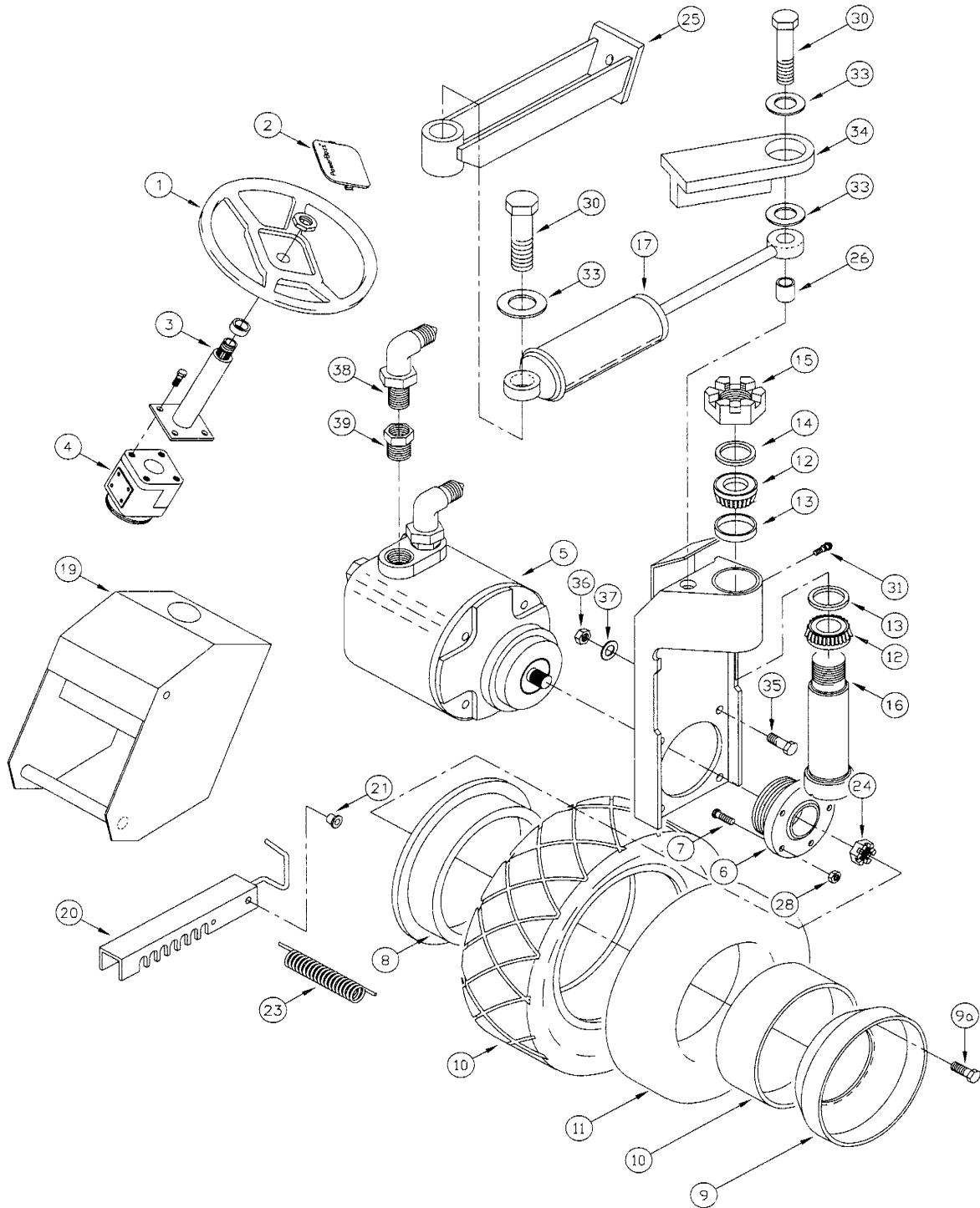


040PH001

STEERING GROUP

REF#	PART #	DESCRIPTION	QUANTITY
1	307245	STEERING WHEEL - POWER STEERING	1
2	307264	CAP - STEERING WHEEL POWER STEERING	1
3	307263	COLUMN - POWER STEERING	1
4	307262	POWER STEERING UNIT SW/A	1
	400027	SCR - HHM 3/8-16 X 1.75 LG ZP	2
	400028	SCR - HHM 3/8-16 X 1.50 LG ZP	2
	400101	WASHER - LOCK 3/8 SPLIT ZP	4
	307020	STEERING FORK ARMA SUB-ASSEMBLY	1
	307340	ASSY - STD STEERING FORK SW/A PNTD	1
	307019	ASSY - DRIVE HUB ARMA SUB	1
6	307347	307347 - REAR HUB, SW/A PNTD	1
7	307348	307348 - STUD, WHEEL REAR SW/A	5
16	307349	PIN - REAR FORK SW/A	1
13	300470	BEARING - TAPERED ROL CUP	2
12	300471	BEARING - TAPERED ROLCONE W/SEAL	2
14	307339	SPACER - STEERING FORK PLTD SW/A	1
15	400223	NUT - HEX SLOTTED 1/20	1
	400122	PIN - COTTER 1/8 X 2.00 ZP	1
	400012	FTG - GREASE 3/16	1
35	400020	SCREW - HHM 1/2-13 X 2.00 LG ZP	4
36	400065	NUT - HEX 1/2-13 ZP	4
37	400098	WASHER - LOCK 1/2 SPLIT ZP	4
38	400158	FTG - 45 7/8-14 TO #8	2
39	400168	FTG - ADAPTER 1 1/16-12 EXT TO	2
	400212	FTG - ADAPTER 7/16-20 TO #4	1
5	306809	MOTOR - HYD 4000 SER (HI-TORQUE)	1
5	305108	MOTOR - HYD 4000 SER (heavy duty)	1
	400339	SCR - HHM 3/8-16 X 2.25 LG SS	1
	400122	PIN - COTTER 1/8 X 2.00 ZP	1
	400079	NUT - HEX 3/8-16 ES ZP	1
	302122	KEY - DRIVE MOTOR (Fits 301533, 305108, 306809)	1
Std	307021	REAR TIRE & RIM SUB-ASSEMBLY (PNEUMATIC)	1
10	307256	REAR TIRE - PNEUMATIC (includes liner)	1
11	307257	REAR TIRE TUBE	1
8	307258	INNER RIM - REAR TIRE	1
9	307259	OUTER RIM - REAR TIRE	1
9a	400015	SCREW-FHM 7/16-14 X 1.50 LG ZP	5
	400066	NUT - HEX 7/16-14 ZP	5
	400099	WASHER - LOCK 7/16 SPLIT ZP	5
Option	307069	REAR TIRE & RIM SUB-ASSEMBLY (NON-MARKING)	1
10	307910	TIRE - NON-MARKING	1
8	307258	INNER RIM - REAR TIRE	1
9	307259	OUTER RIM - REAR TIRE	1

STEERING GROUP (CONT.)



040PH001

STEERING GROUP (CONT.)

REF#	PART #	DESCRIPTION	QUANTITY
9a	400015	SCREW-FHM 7/16-14 X 1.50 LG ZP	5
	400066	NUT - HEX 7/16-14 ZP	5
	400099	WASHER - LOCK 7/16 SPLIT ZP	5
Option	307070	REAR TIRE & RIM SUB-ASSEMBLY (SOFT SHOE)	1
10	307331	TIRE - SOFT SHOE 600 X 9	1
8	307258	INNER RIM - REAR TIRE	1
9	307259	OUTER RIM - REAR TIRE	1
9a	400015	SCREW-FHM 7/16-14 X 1.50 LG ZP	5
	400066	NUT - HEX 7/16-14 ZP	5
	400099	WASHER - LOCK 7/16 SPLIT ZP	5
17	307311	CYLINDER - STEERING ARMA & POWER	1
	300879	WASHER - HD 3.25 OD X 1.00 ID	2
	400152	FTG - 90 1/2-20 TO #5	2
	400435	WASHER - LOCK 3/4 SPLIT ZP	2
19	307158	ASSY - MOUNT TILT STEERING SW/A	1
	400210	SCR - SHC 3/8-16 X 1.50 ZP	2
	400392	NUT - FLANGE LOCK 3/8-16	2
20	307163	ASSY - LATCH TILT STEERING SW/A	1
	400039	SCR - HHM 1/4-20 X 2.00 LG ZP	1
	400351	SCR - HHM 1/4-20 X 2.25 ZP	1
	400376	PIN - CLEVIS 3/8 X 2-7/16 ZP	1
	400087	WASHER - FLAT 3/8 STANDARD ZP	5
	400125	PIN - COTTER 3/8 RUE-RING	1
	400081	NUT - HEX 1/4-20 ES ZP	2
21	300414	BUSHING - PLASTIC MN BROOM	4
23	307815	SPRING - TILT STEERING	1
24	307576	NUT - STEERING 13/16-20 CHARLYNN	1
	307332	ASSY - STEERING CYL MOUNT PNTD	1
	400022	SCR - HHM 1/2-13 X 1.25 LG ZP	2
	400098	WASHER - LOCK 1/2 SPLIT ZP	2
	400065	NUT - HEX 1/2-13 ZP	2
26	307351	SPACER - STEERING CYL PLTD	1
28	300411	NUT - WHEEL LUG	5
30	400422	SCREW - HHM 3/4-10 X 5.0 LG ZP	2
33	400440	WASHER - FLAT .812 X 2.0 LG ZP	2
	400143	NUT - HEX 3/4-10 ZP	2
	309081	BAR - STEERING STOP SPACER	1
34	309080	ASSY - STEERING STOP ARMA PNTD	1
	309089	SPACER - ARMA STEERING STOP	1

